



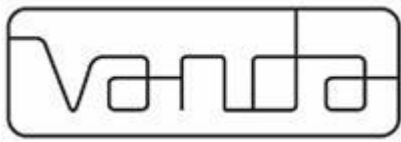
BRACKET MEASUREMENTS & INFORMATION

for

CURTAIN MAKERS
& FITTERS

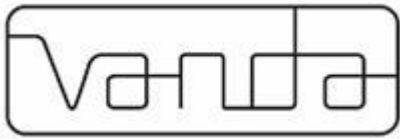
July 2020

Factory & Showroom
Vanda Victoria Pty Ltd
Unit 5, 52-60 Garden Drive, Tullamarine, VIC. 3043
Phone (03) 9335 6355 Fax (03) 9335 6422
E-mail sales@vandavictoria.com.au

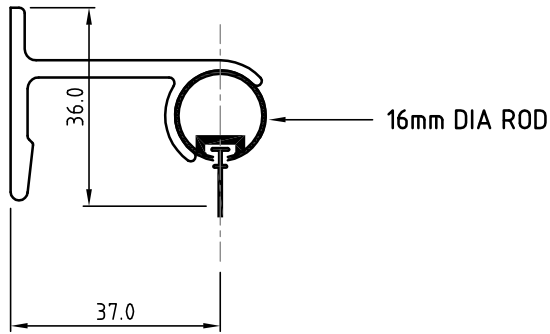


Contents (Index) &
Page Headers

Page 1	Versatrak 16 Single Brackets
Page 2	Versatrak 16 Combo Single & Double Brackets
Page 3	Versatrak 25 Single Brackets
Page 4	Versatrak 25 Top Fix & Side Fix Brackets
Page 5	Versatrak 25 Combo Single Brackets
Page 6	Versatrak 25 Double Brackets
Page 7	Vantage Single Brackets
Page 8	Vantage Top Fix & Double Brackets
Page 9	Boldtrak 25 Single Brackets
Page 10	Boldtrak 25 Double Brackets
Page 11	Boldtrak 32 Single & Top Fix Brackets
Page 12	Boldtrak 32 Double Brackets
Page 13	Boldtrak 35 Single & Top Fix Brackets
Page 14	Boldtrak 35 Double Brackets
Page 15	Boldtrak 25 Double with VT 16 & 25
Page 16	Boldtrak 32 Double with VT 16 & 25
Page 17	Boldtrak 35 Double with VT 16 & 25
Page 18	Flush Fit, Boldtrak Hanger Bracket & Concealed Wall Plate

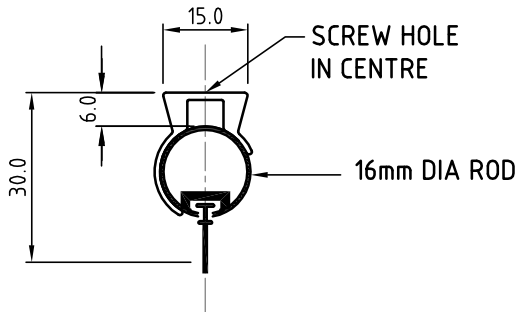


VERSATRAK 16 SINGLE BRACKETS



Base Plate : Height 34mm, Width 20mm
Top of base plate to hook position : 36mm

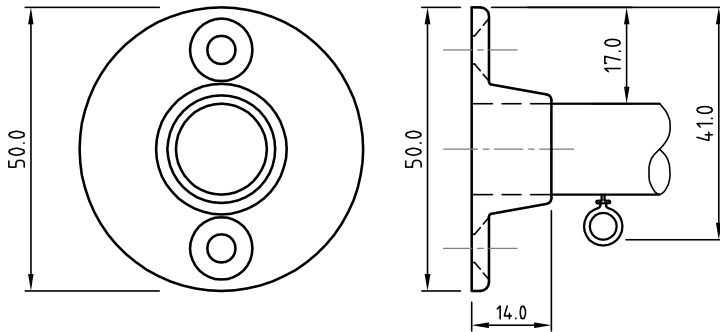
Discontinued 2024
16mm Glide Bracket



Ceiling to top of rod : 6mm
Ceiling to hook position : 30mm

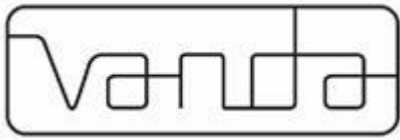
NB: There is no 16mm Top Fix Ring Bracket

16mm Top Fix Glide Bracket

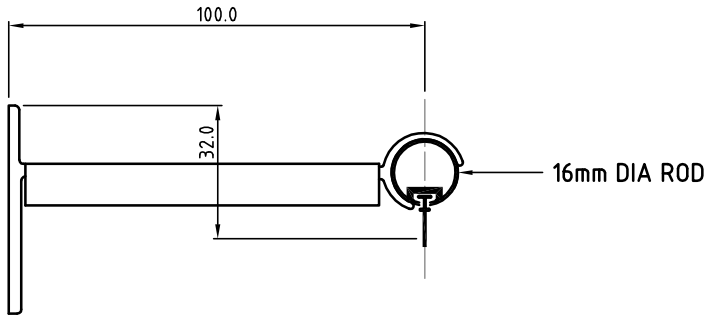


Top of base plate to top of rod : 17mm
Top of base plate to hook position: 41mm

16mm End Wall (Flange) Bracket



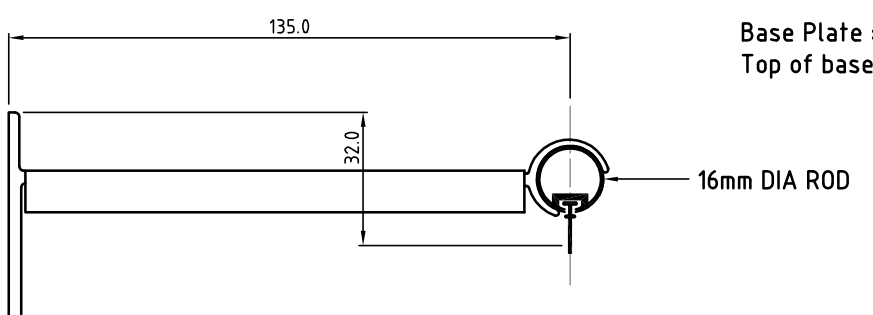
VERSATRAK 16 COMBO SINGLE & DOUBLE BRACKETS



100.0
32.0
16mm DIA ROD

Base Plate : Height 50mm, Width 20mm
Top of base plate to hook position : 32mm

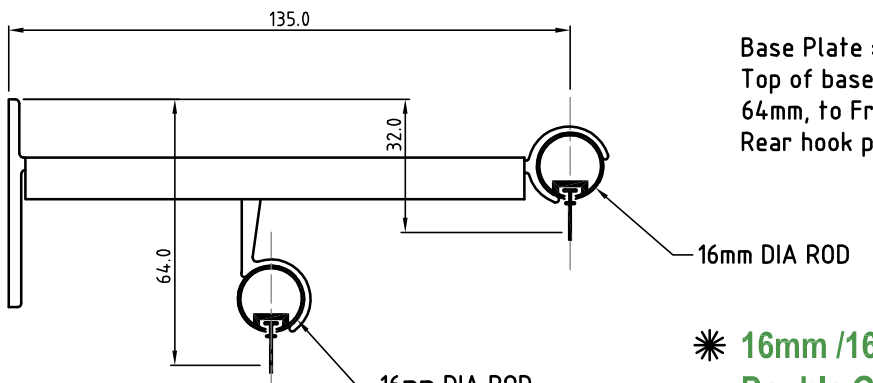
✱ **16mm - 100mm Glide Bracket**



135.0
32.0
16mm DIA ROD

Base Plate : Height 50mm, Width 20mm
Top of base plate to hook position : 32mm

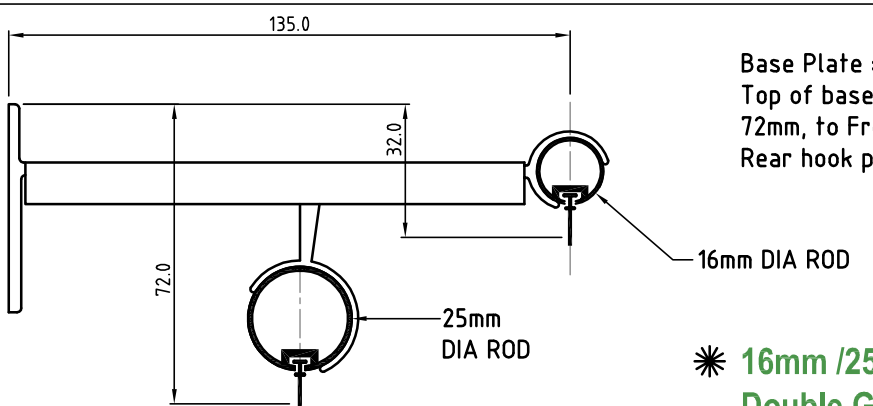
✱ **16mm - 135mm Glide Bracket**



135.0
64.0
32.0
16mm DIA ROD
16mm DIA ROD

Base Plate : Height 50mm, Width 20mm
Top of base plate to Rear hook position : 64mm, to Front hook position : 32mm
Rear hook position : 32mm below front hook

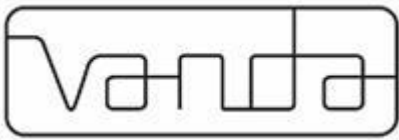
✱ **16mm / 16mm Double Glide Bracket**



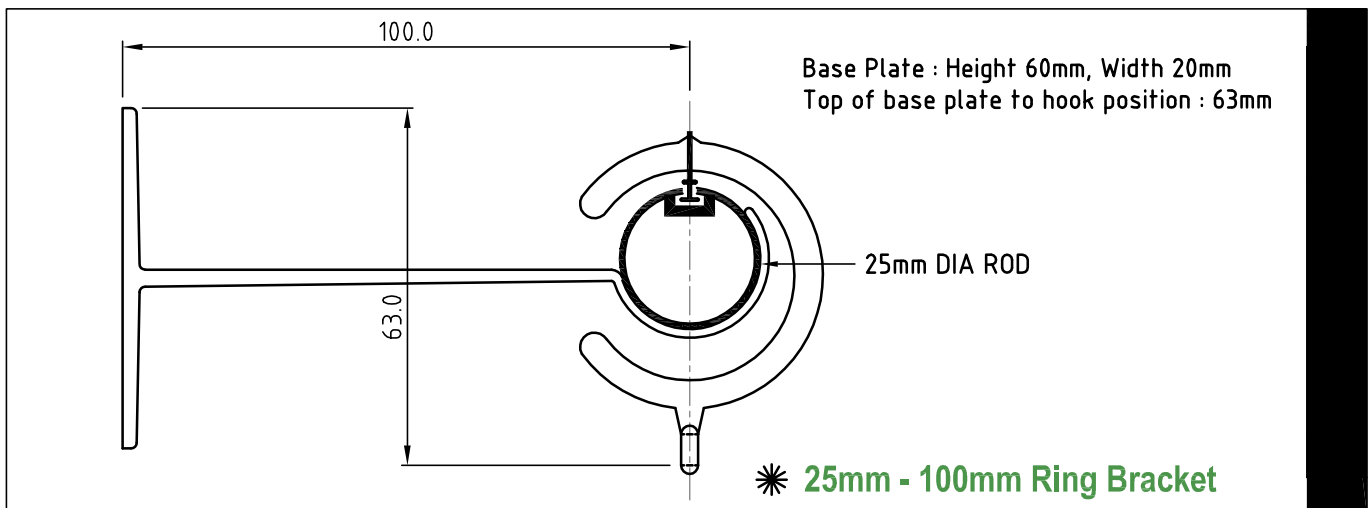
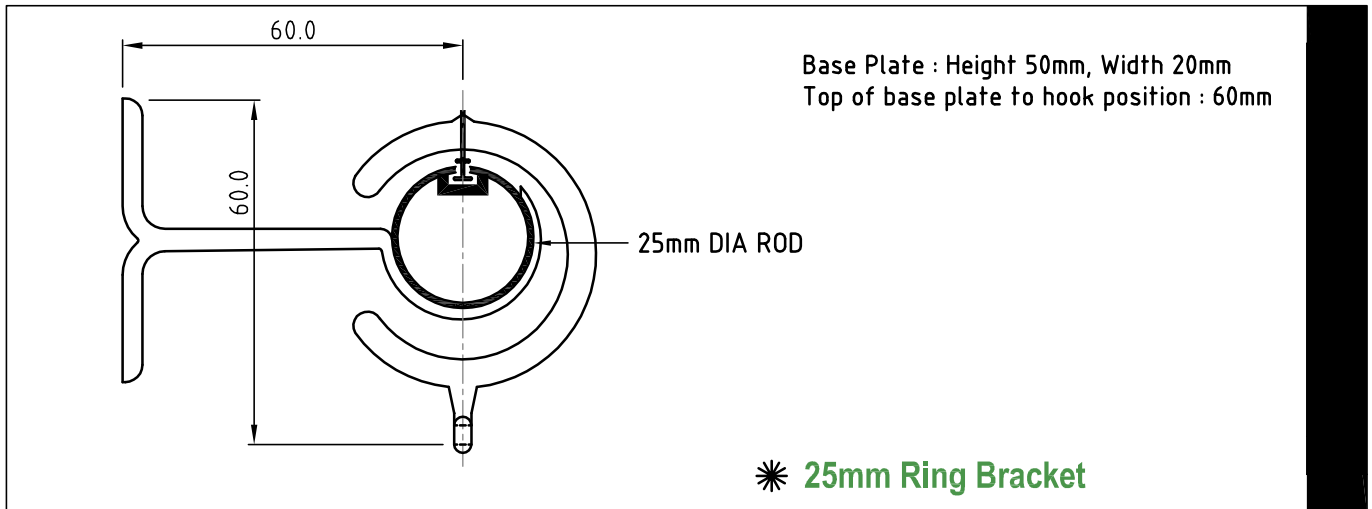
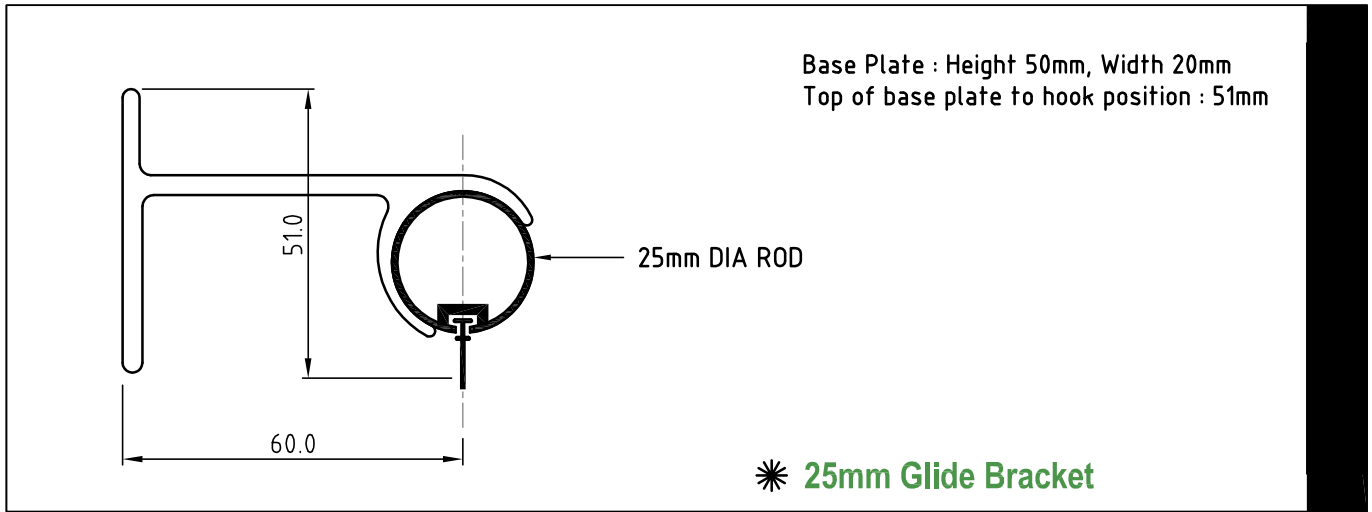
135.0
72.0
32.0
25mm DIA ROD
16mm DIA ROD

Base Plate : Height 50mm, Width 20mm
Top of base plate to Rear hook position : 72mm, to Front hook position : 32mm
Rear hook position : 40mm below front hook

✱ **16mm / 25mm Double Glide Bracket**

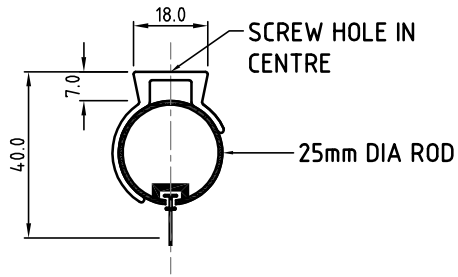


VERSATRAK 25 SINGLE BRACKETS



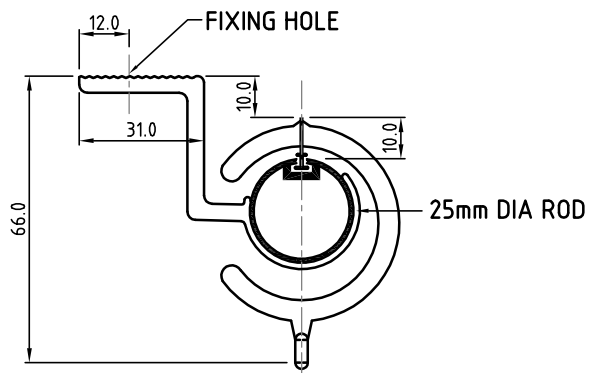


VERSATRAK 25 TOP FIX & SIDE FIX BRACKETS



Ceiling to top of rod : 7mm
Ceiling to hook position : 40mm

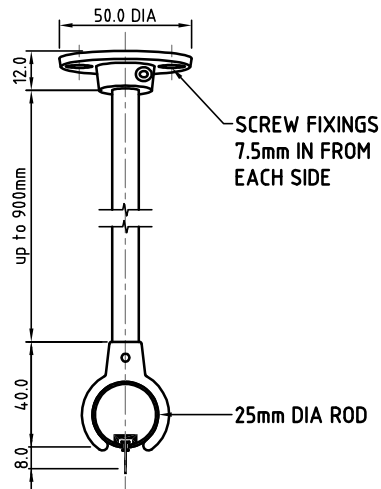
25mm Top Fix Glide Bracket



Ceiling to top of rod : 20mm
Ceiling to hook position : 66mm
Top of Ring sits 10mm above rod/10mm below ceiling

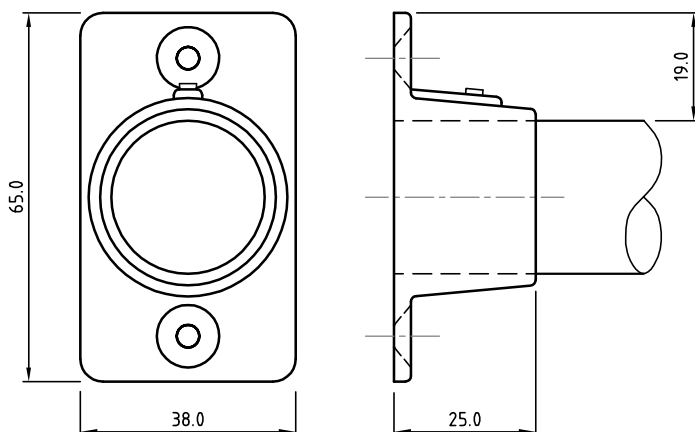
Discontinued 2024

25mm Top Fix Ring Bracket



Ceiling Wall Plate : 50mm DIA
Dropper available up to 900mm drops
Top of ceiling to bottom of ceiling flange : 12mm
Top of saddle bracket to bottom of rod : 40mm
Hook position 8mm below rod

25mm Hanger Glide Bracket

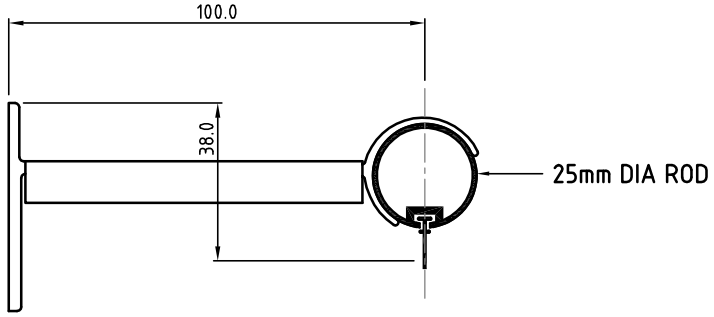


Top of base plate to top of rod : 19mm
Top of base plate to hook position :
- Glide 54mm
- Ring 68mm

25mm End Wall (Flange) Bracket



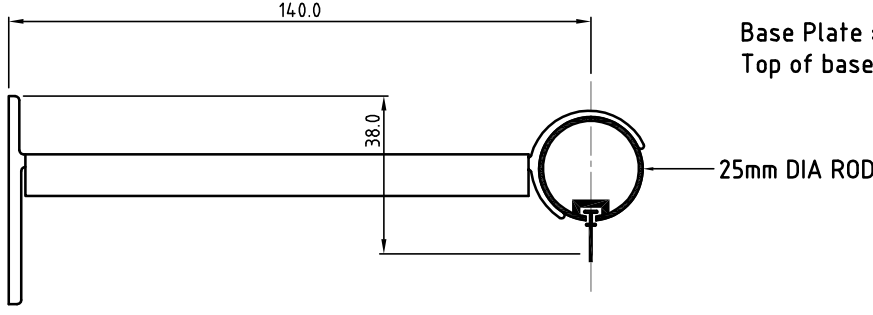
VERSATRAK 25 COMBO SINGLE BRACKETS



Base Plate : Height 50mm, Width 20mm
Top of base plate to hook position : 38mm

25mm DIA ROD

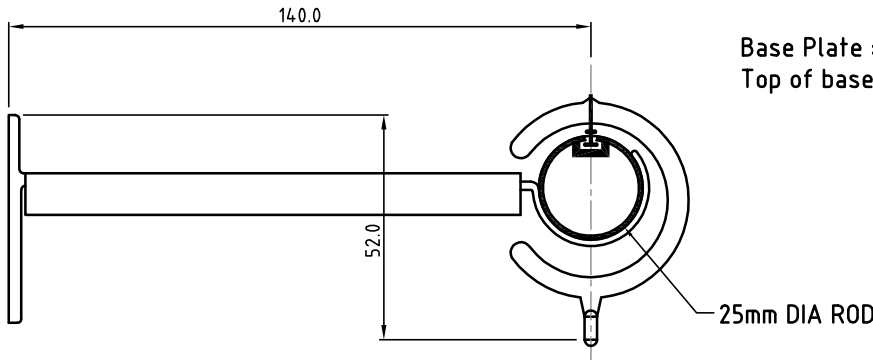
✱ **25mm - 100mm Glide Bracket**



Base Plate : Height 50mm, Width 20mm
Top of base plate to hook position : 38mm

25mm DIA ROD

✱ **25mm - 140mm Glide Bracket**



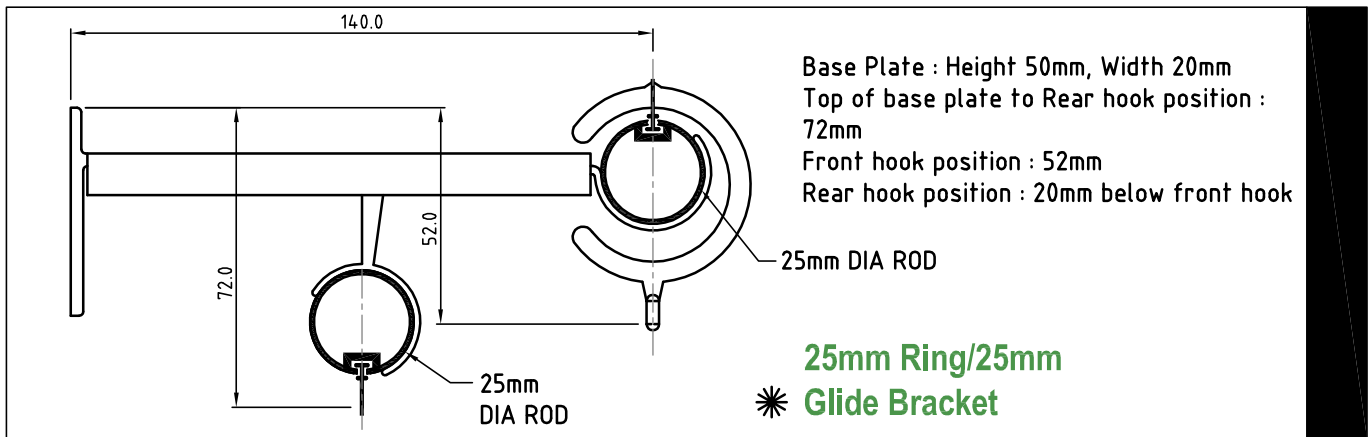
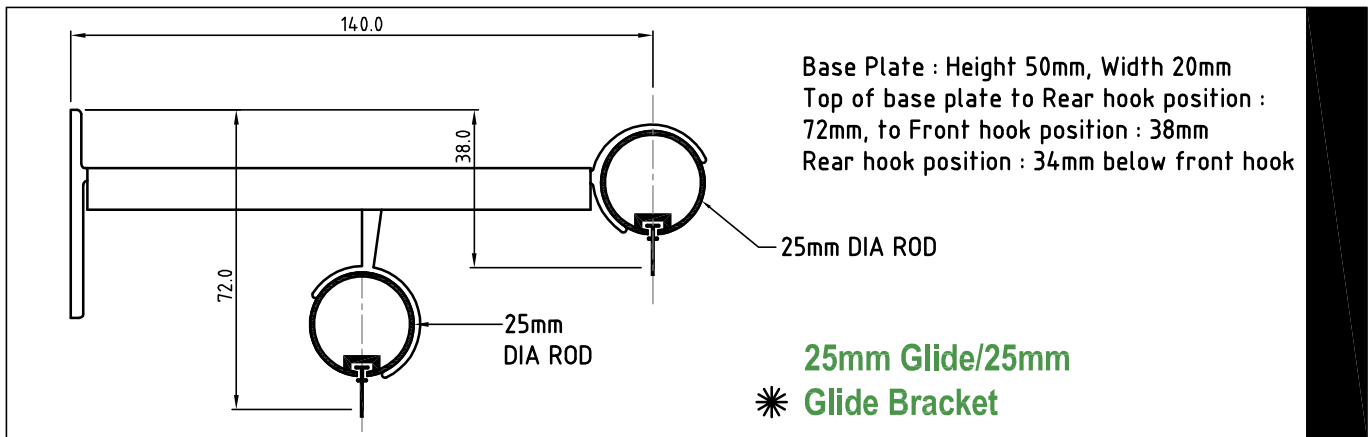
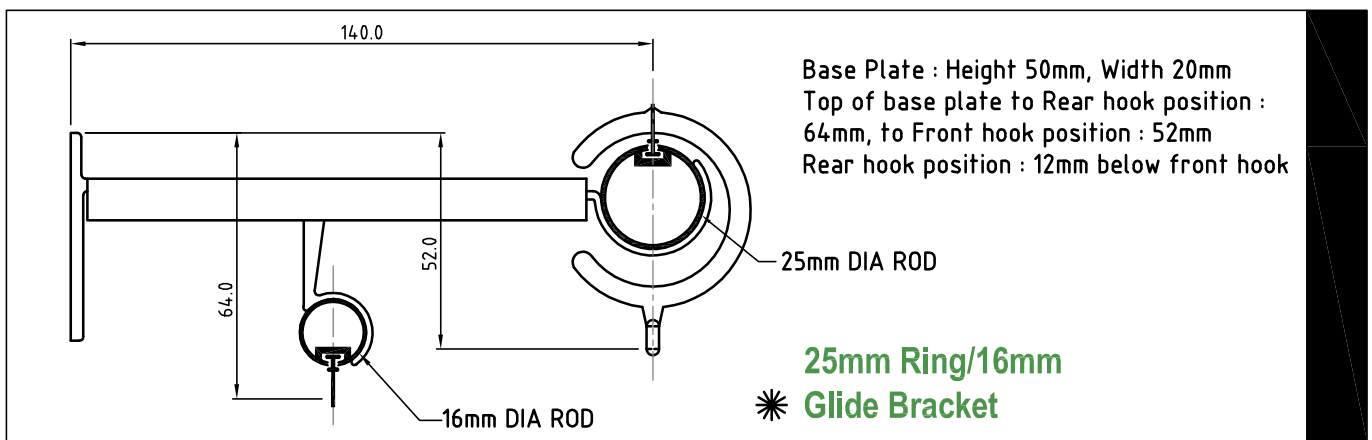
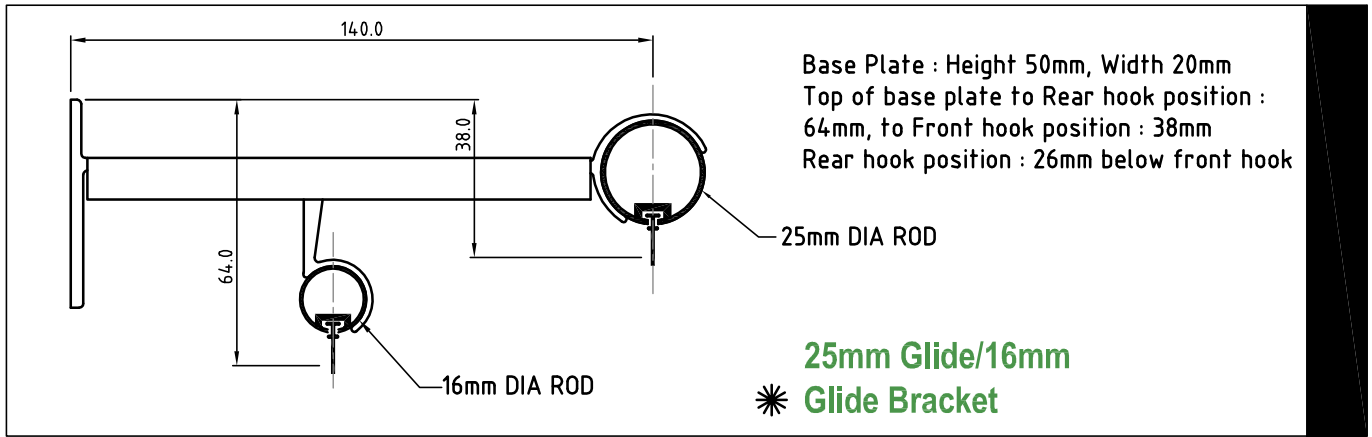
Base Plate : Height 50mm, Width 20mm
Top of base plate to hook position : 52mm

25mm DIA ROD

✱ **25mm - 140mm Ring Bracket**

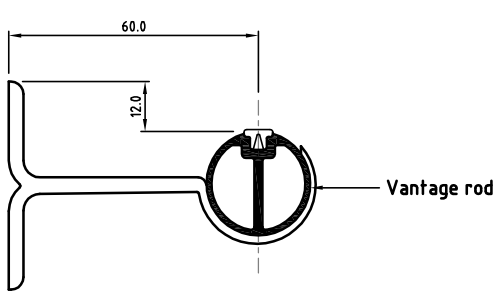


VERSATRAK DOUBLE COMBO BRACKETS



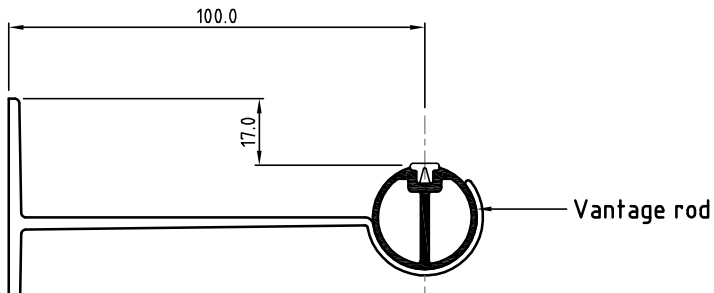


VANTAGE SINGLE BRACKETS



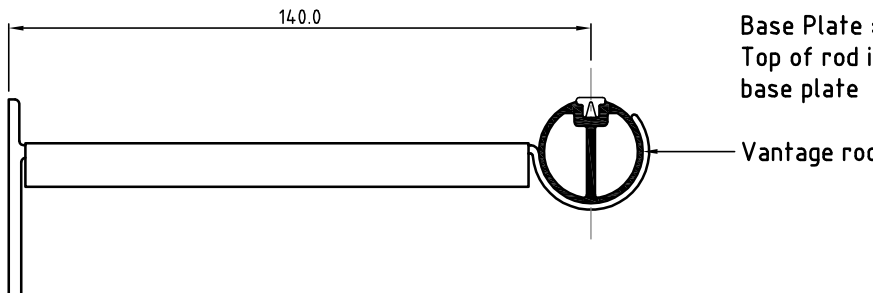
Base Plate : Height 60mm, Width 20mm
Top of rod is 12mm below the top of the base plate

*** Vantage Standard bracket**



Base Plate : Height 60mm, Width 20mm
Top of rod is 17mm below the top of the base plate

Vantage
*** 100mm Projection Bracket**

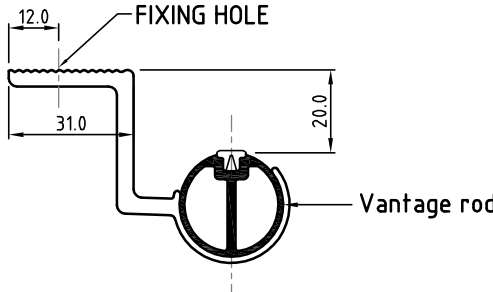


Base Plate : Height 50mm, Width 20mm
Top of rod is level with top of the base plate

Vantage
*** 140mm Projection Bracket**

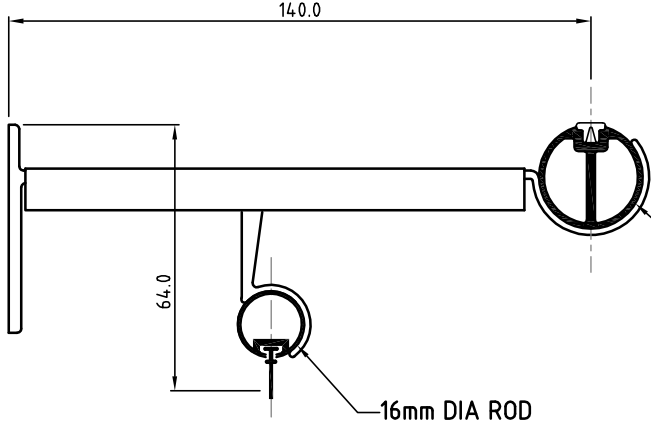


VANTAGE TOP FIX & DOUBLE BRACKETS



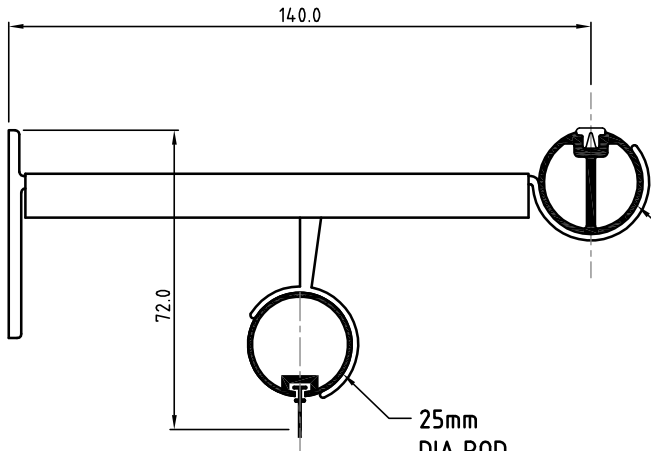
Ceiling to top of rod : 20mm
Top of rod sits 20mm below the ceiling

Discontinued 2024
Vantage Top Fix Bracket



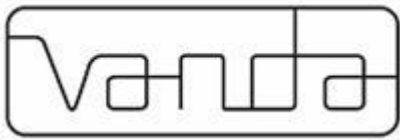
Base Plate : Height 50mm, Width 20mm
Top of base plate to Rear hook position : 64mm
Top of rod is level with top of the base plate

*** Vantage Double/16mm
Glide Bracket**



Base Plate : Height 50mm, Width 20mm
Top of base plate to Rear hook position : 72mm
Top of rod is level with top of the base plate

*** Vantage Double/25mm
Glide Bracket**



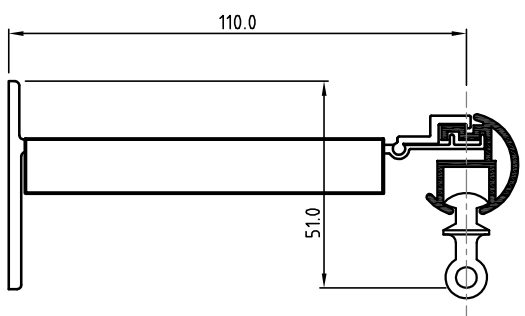
NB. Boldtrak drops are the same for standard glides & Wavefold
(Not suitable for S-Fold)

BOLDTRAK 25 SINGLE BRACKETS



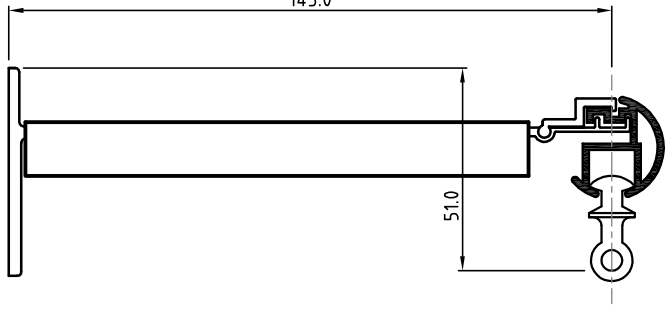
Base Plate : Height 50mm, Width 30mm
Top of base plate to hook position : 51mm

*** Boldtrak 25 60mm Bracket**



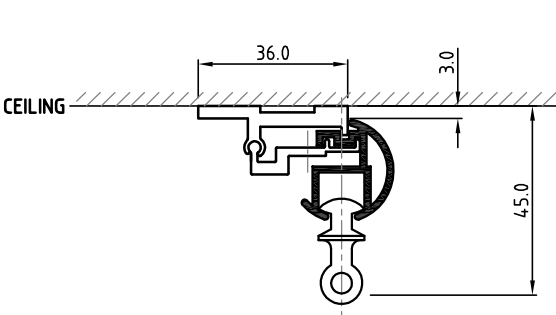
Base Plate : Height 50mm, Width 30mm
Top of base plate to hook position : 51mm

*** Boldtrak 25 110mm Bracket**



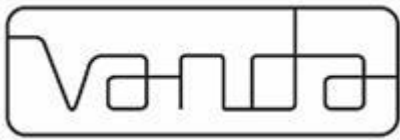
Base Plate : Height 50mm, Width 30mm
Top of base plate to hook position : 51mm

*** Boldtrak 25 145mm Bracket**



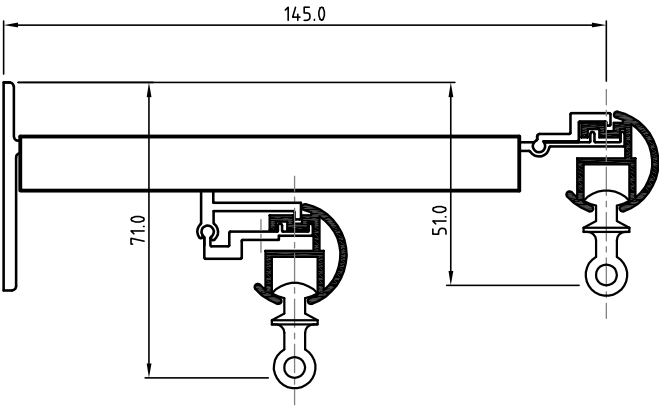
Ceiling Plate : Length 60mm, Width 36mm
Top of Ceiling to top of rod : 3mm
Top of base plate to hook position : 45mm

Boldtrak 25 Ceiling Fix Bracket



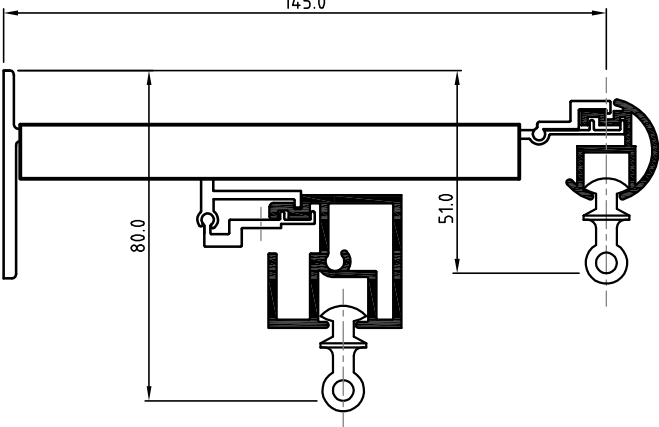
NB. Boldtrak drops are the same for standard glides & Wavefold
(Not suitable for S-Fold)

BOLDTRAK 25 DOUBLE BRACKETS



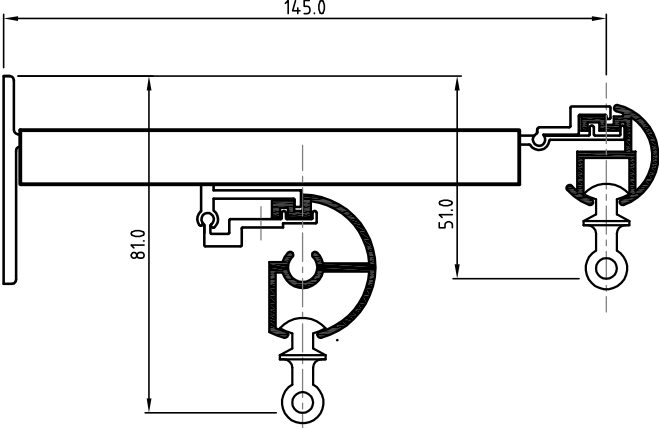
Base Plate : Height 50mm, Width 30mm
Top of base plate to rear hook position : 71mm
Top of base plate to front hook position : 51mm
Rear hook position : 20mm below front hook

Boldtrak Double Bracket
* **Boldtrak 25 front/Boldtrak 25 rear**



Base Plate : Height 50mm, Width 30mm
Top of base plate to rear hook position : 80mm
Top of base plate to front hook position : 51mm
Rear hook position : 29mm below front hook

Boldtrak Double Bracket
* **Boldtrak 25 front/Boldtrak 32 rear**



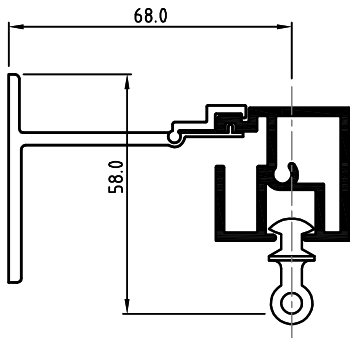
Base Plate : Height 50mm, Width 30mm
Top of base plate to rear hook position : 81mm
Top of base plate to front hook position : 51mm
Rear hook position : 30mm below front hook

Boldtrak Double Bracket
* **Boldtrak 25 front/Boldtrak 35 rear**



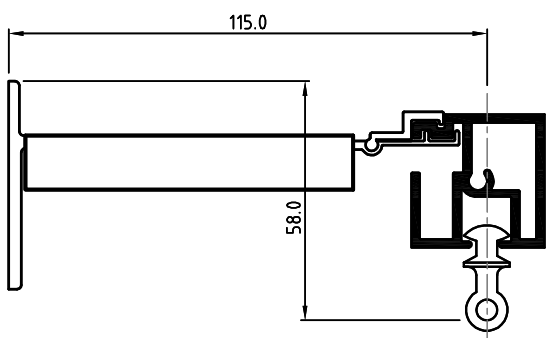
NB. Boldtrak drops are the same for standard glides, S-Fold & Wavefold

BOLDTRAK 32 SINGLE & TOP FIX BRACKETS



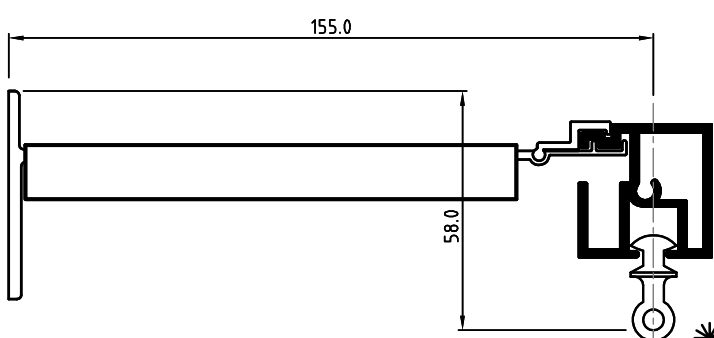
Base Plate : Height 50mm, Width 30mm
Top of base plate to hook (or \varnothing snap)
position : 58mm

✱ **32mm Single Bracket**



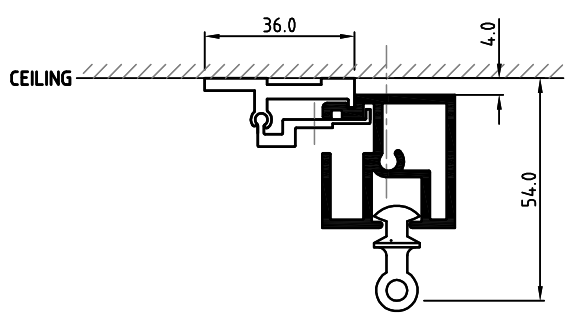
Base Plate : Height 50mm, Width 30mm
Top of base plate to hook (or \varnothing snap)
position : 58mm

✱ **32mm Premo 115mm Bracket**



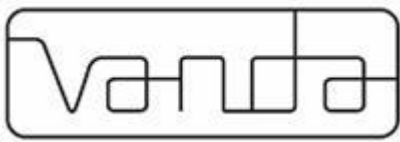
Base Plate : Height 50mm, Width 30mm
Top of base plate to hook (or \varnothing snap)
position : 58mm

✱ **32mm Premo 155mm Bracket**



Base Plate : Length 60mm, Width 36mm
Top of Ceiling to top of rod : 4mm
Top of base plate to hook (or \varnothing snap)
position : 54mm

✱ **32mm Ceiling Fix Bracket**



NB. Boldtrak drops are the same for standard glides, S-Fold & Wavefold

BOLDTRAK 32 DOUBLE BRACKETS

Base Plate : Height 50mm, Width 30mm
Top of base plate to rear hook position : 71mm
Top of base plate to front hook (or \varnothing snap) position : 58mm
Rear hook position : 13mm below front hook

Boldtrak Double Bracket
* **Boldtrak 32 front/Boldtrak 25 rear**

Base Plate : Height 50mm, Width 30mm
Top of base plate to rear hook position : 80mm
Top of base plate to front hook (or \varnothing snap) position : 58mm
Rear hook position : 22mm below front hook

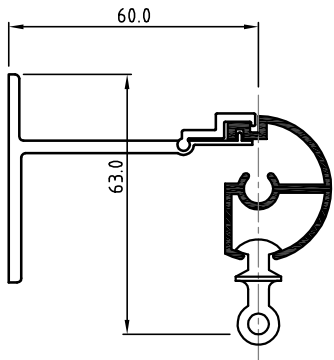
Boldtrak Double Bracket
* **Boldtrak 32 front/Boldtrak 32 rear**

Base Plate : Height 50mm, Width 30mm
Top of base plate to rear hook position : 81mm
Top of base plate to front hook (or \varnothing snap) position : 58mm
Rear hook position : 23mm below front hook

Boldtrak Double Bracket
* **Boldtrak 32 front/Boldtrak 35 rear**

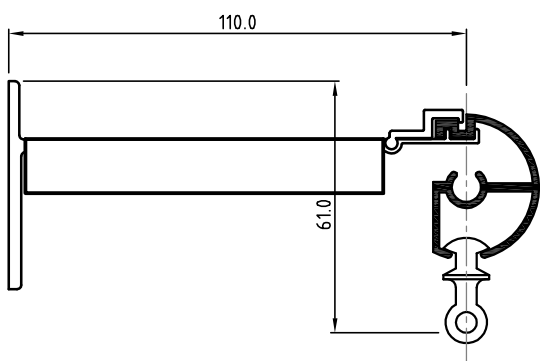


BOLDTRAK 35 SINGLE & TOP FIX BRACKETS



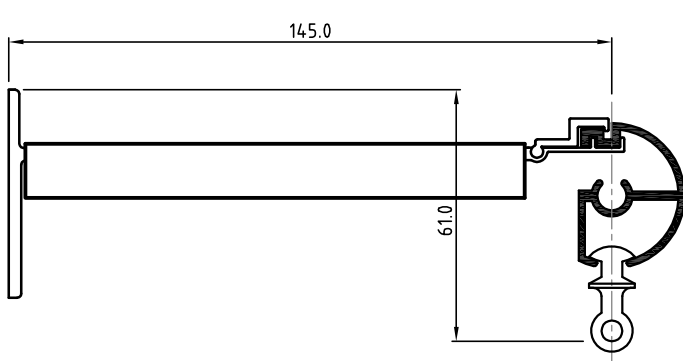
Base Plate : Height 50mm, Width 30mm
Top of base plate to hook (or \varnothing snap)
position : 63mm

✱ **35mm Single Bracket**



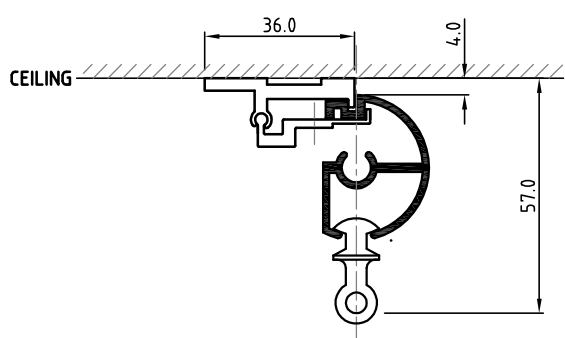
Base Plate : Height 50mm, Width 30mm
Top of base plate to hook (or \varnothing snap)
position : 61mm

✱ **35mm Premo 110mm Bracket**



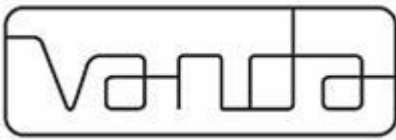
Base Plate : Height 50mm, Width 30mm
Top of base plate to hook (or \varnothing snap)
position : 61mm

✱ **35mm Premo 145mm Bracket**



Base Plate : Length 60mm, Width 36mm
Top of Ceiling to top of rod : 4mm
Ceiling to hook (or \varnothing snap) position : 57mm

35mm Ceiling Fix Bracket



NB. Boldtrak drops are the same for standard glides, S-Fold & Wavefold

BOLDTRAK 35 DOULBE BRACKETS

Base Plate : Height 50mm, Width 30mm
Top of base plate to rear hook position : 71mm
Top of base plate to front hook (or \varnothing snap) position : 61mm
Rear hook position : 10mm below front hook

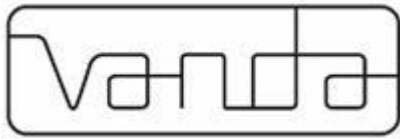
Boldtrak Double Bracket
* **Boldtrak 35 front/Boldtrak 25 rear**

Base Plate : Height 50mm, Width 30mm
Top of base plate to rear hook position : 80mm
Top of base plate to front hook (or \varnothing snap) position : 61mm
Rear hook position : 19mm below front hook

Boldtrak Double Bracket
* **Boldtrak 35 front/Boldtrak 32 rear**

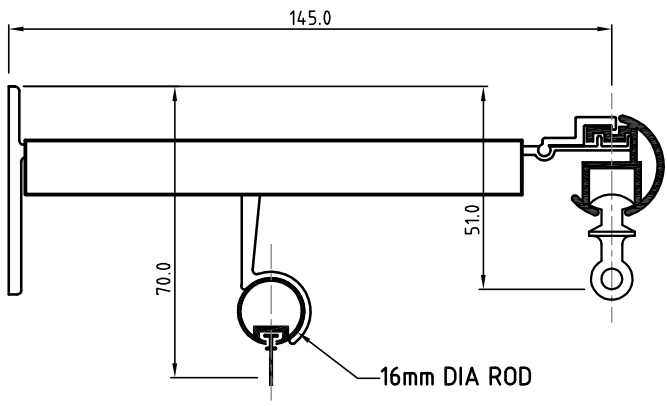
Base Plate : Height 50mm, Width 30mm
Top of base plate to rear hook position : 81mm
Top of base plate to front hook (or \varnothing snap) position : 61mm
Rear hook position : 20mm below front hook

Boldtrak Double Bracket
* **Boldtrak 25 front/Boldtrak 35 rear**



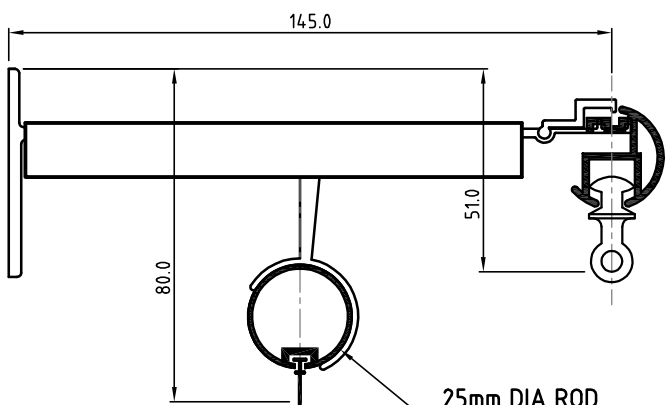
NB. Boldtrak drops are the same for standard glides & Wavefold
(Not suitable for S-Fold)

BOLDTRAK 25 DOUBLE WITH VT 16 & 25



Base Plate : Height 50mm, Width 30mm
Top of base plate to rear hook position : 70mm
Top of base plate to front hook position : 51mm
Rear hook position : 19mm below front hook

Premo Combo 25mm/16mm
* **Glide Bracket**



Base Plate : Height 60mm, Width 30mm
Top of base plate to rear hook position : 80mm
Top of base plate to front hook position : 51mm
Rear hook position : 29mm below front hook

Premo Combo 25mm/25mm
* **Glide Bracket**



NB. Boldtrak drops are the same for standard glides, S-Fold & Wavefold

BOLDTRAK 32 DOUBLE WITH VT 16 & 25

Base Plate : Height 50mm, Width 30mm
Top of base plate to rear hook position : 70mm
Top of base plate to front hook (or \varnothing snap) position : 58mm
Rear hook position : 12mm below front hook

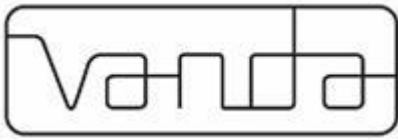
16mm DIA ROD

Premo Combo 32mm/16mm
* **Glide Bracket**

Base Plate : Height 60mm, Width 30mm
Top of base plate to rear hook position : 80mm
Top of base plate to front hook (or \varnothing snap) position : 58mm
Rear hook position : 22mm below front hook

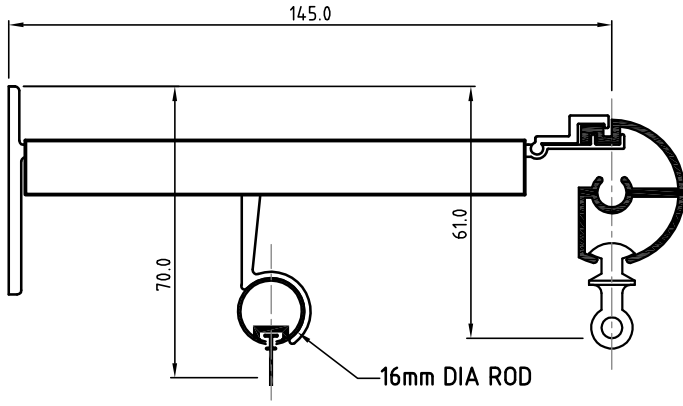
25mm DIA ROD

Premo Combo 32mm/25mm
* **Glide Bracket**



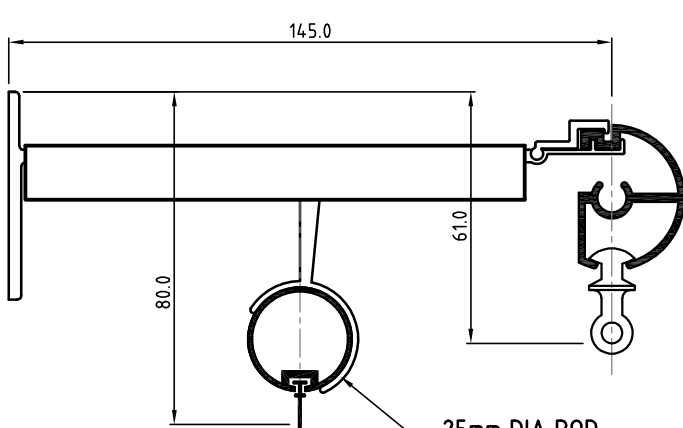
NB. Boldtrak drops are the same for standard glides, S-Fold & Wavefold

BOLDTRAK 35 DOUBLE WITH VT 16 & 25



Base Plate : Height 50mm, Width 30mm
Top of base plate to rear hook position : 70mm
Top of base plate to front hook (or \varnothing snap) position : 61mm
Rear hook position : 9mm below front hook

Premo Combo 35mm/16mm
* **Glide Bracket**



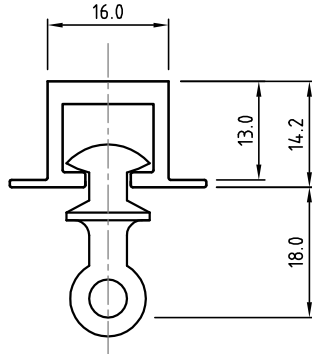
Base Plate : Height 50mm, Width 30mm
Top of base plate to rear hook position : 80mm
Top of base plate to front hook (or \varnothing snap) position : 61mm
Rear hook position : 19mm below front hook

Premo Combo 35mm/25mm
* **Glide Bracket**



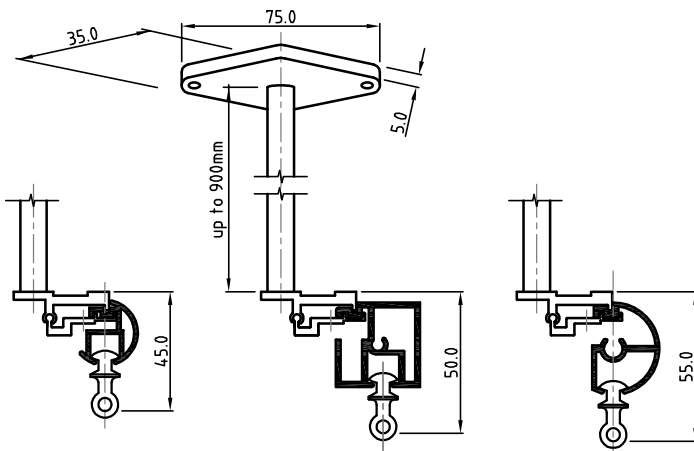
FLUSHFIT , BOLDTRAK HANGER BRACKET & CONCEALED WALL PLATE

Requires 13mm Ceiling Lining



Flushfit Track
Hook position : 18mm under track
Suitable with Wave-Fold
(Not suitable with S-Fold)

Flushfit Recessed Track



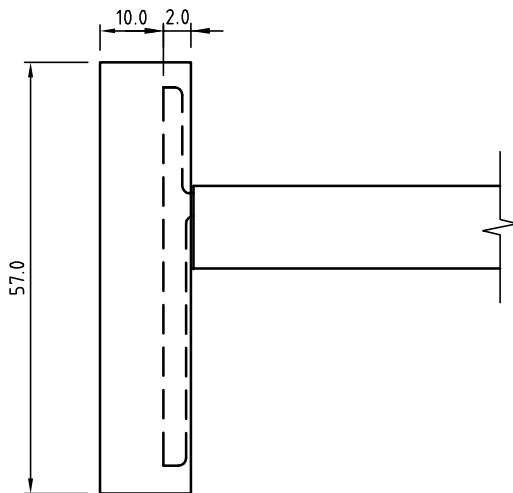
Boldtrak 25

Boldtrak 32

Boldtrak 35

Dropper available up to 900mm drops
Top of clamp to hook position Boldtrak 25 : 45mm
Top of clamp to hook position Boldtrak 32 (or ϕ snap): 50mm
Top of clamp to hook position Boldtrak 35 (or ϕ snap): 55mm

Boldtrak Hanger Bracket



Concealed Fixing Wall Plate:

- Length : 57mm - add 5mm for distance from top of wall plate to hook/snap positions
- Projection from wall : add 10mm to all measures from wall
- Not available for:
 - 16mm standard GLIDE BKTS
 - 16mm standard RING BKTS
 - All top fix brackets

Concealed Wall Plates