

# Curtain Hardware Solutions

# JULY 2020

(ONLINE VERSION ONLY)

▼ vanda







---

# Contents

4	Introduction to Vanda Victoria
6	Versatrak Rod
7	Vantage Eyelet Rod
8	Single Versatrak Brackets
9	Double Versatrak Brackets
10	Versatrak 16mm Finials
11	Versatrak 25mm Finials
12	Boldtrak Rod
13	Boldtrak Brackets
14	Boldtrak 25 Finials
14	Boldtrak 32 (square) Caps
14	Boldtrak 35 (round) Spacers
15	Boldtrak 35 round finials
18	Boldtrak with S-Fold or Wave-Fold
19	Flushfit Recessed Track
20	Colours & Straight Joins
21	Bends and Mitres
22	Accessories
23	Holdbacks

---

For product dimensions, please refer to the Vanda Victoria web site. For bracket dimensions simply [click here](#).



---

# Introduction to Vanda Victoria

Vanda was originally established in New Zealand in 1998, when it was realised there was a gap in the market for decorative curtain rods versatile enough for today's homes. Shortly after, the Vanda range expanded to Australia, with a dedicated Victorian operation established in 2001. Today Vanda products are available throughout all states of Australia. Vanda Victoria supplies premier, customised curtain rods and accessories to the soft furnishings market throughout Victoria and Tasmania.

The Vanda rods are designed and made in NZ, from tough stylish high grade aluminium, with cast or forged metal accessories. Here in Melbourne the rods and

accessories are customised to meet the needs of each individual client. Our range is unique to Vanda Victoria, reflecting local tastes and requirements.

The Vanda range is innovative and will enhance any home. Each order is customised in length, colour/finish, bracketing and finials, so each installation is exclusive – set your windows above the rest. Our range is continually evolving, if you are looking for something related that is not featured here please contact us.

**For all product dimensions, please refer to the Vanda Victoria web site [www.vandavic.com.au](http://www.vandavic.com.au)**

Image courtesy of Emma Gaggin Interiors





---

# Versatrak Rod

## Combining aesthetics with practicality.

Made from robust aluminium, Versatrak's design and flexibility make it ideal for both residential and commercial applications. The look can range from traditional to contemporary by choosing finishes and finials accordingly

- Versatrak comes in 16mm and 25mm diameters to harmonise with the weight and style of the curtains.
- An extensive range of finials are available ranging in style from the very simple to the quite ornate.
- Finials are made from metal alloys or aluminium.
- Versatrak 25 can be used with rings or nylon glides, Versatrak 16 to be used with glides only.
- The unique channel design allows the glides and rings to slide smoothly past the brackets, allowing unlimited width in window treatments.
- The metal rings appear to be a full ring, but are actually  $\frac{3}{4}$  rings and sit on nylon gliders so the metal does not scuff on the rod, allowing the rings to glide smoothly.
- Both Versatrak 16 & 25 rod can be bent or mitred, Versatrak 25 may also be curved to order.
- Versatrak may be used as a double system, mixing the 16mm and 25mm rods to suit. They may also be used in conjunction with the Boldtrak rods.
- The broad bracket range will accommodate most applications – even difficult ones. The range includes single 60mm, 100mm and 140mm face fix projections, plus double and top fix brackets.
- Cover plates are available for most Face Fix brackets to conceal fixing screws.
- The rod length is 6 metre; where longer lengths are required an internal jointer is available.
- A full range of colours is available, see the Vanda web site. Rods may also be powder coated to order.



25mm VT Ring (used on both 16mm & 25mm rod)



Vanda Glide



End stop, wedges under the finial to hold the end of the curtain in place.



Glides - available in white, black and grey

---

## Single Versatrak Rods



25mm rod with glides



25mm rod with rings



16mm rod with glides

---

## Double Versatrak Rods



16/25mm rods glide/glide  
(Glides on front and rear)



16/25mm rods ring/glide  
(Rings on front, glides on rear)

Also Available – 16/16mm, 25/25mm  
and 25/16mm combinations

---

# Vantage Eyelet Rod

## Clean and Streamlined for the modern home

Vantage allows eyelet or grommet curtains to be used on a wide range of windows – literally. Providing the curtains are relatively light, Vantage Eyelet rod can span 2.2 metres before further support is needed – so three brackets will span a 4.4m window.

- 25mm aluminium rod.
- The rod features an internal aluminium vertical extrusion which adds strength and rigidity.
- A top strip of PVC lifts the eyelet off the metal surface and allows the eyelet to glide smoothly without scratching. Rods come with the PVC strip installed, and with both ends trimmed to allow for the appropriate finial.
- Vantage can also be used with tab topped curtains or full rings – see “e-rings” page 22.
- Can be used as part of a double rod system, e.g. with sheers on the rear rod.
- Can be used with 60mm, 100mm and 140mm projection brackets. 100mm brackets are recommended for standard use, this allows the curtains to concertina fully.
- Maximum continuous length is 6m, double width brackets are available if the rods need to be joined.
- Vantage rod can be bent to order.
- Use with 40–45mm I.D. eyelets/grommets.
- Vantage comes in all standard colours. Other colours are possible via powder coating.
- **Vantage Rod fits all 25mm Versatrak finials.**



**Note: Vantage is NOT available in hand finishes**

Vantage eyelet rod showing the vertical aluminium support and the PVC glide strip.



Image courtesy of Carlisle Homes

# Single Versatrak Brackets

## Versatrak 16 Brackets



Glide bracket – 40mm projection\*



Combo glide bracket 140mm projection (also available in 100mm)



End wall bracket



Ultra top fix bracket



The concealed base plate serves to conceal the screw fixings. The plate is available for combo brackets.

**\*Not available with concealed base plates**

## Versatrak 25 Brackets



Ring bracket – 60mm projection



Glide bracket – 60mm projection



Ring bracket - 100mm projection



Combo ring bracket - 140mm projection



Combo glide bracket - 140mm projection (also available in 100mm)



End wall bracket



Top fix ring bracket



Ultra top fix glide bracket

**Note: Dimensions and drops are listed on the Vanda web page, alternatively a brochure with these measurements is available**



# Versatrak Double Combo Brackets

All double brackets are supplied with RBI's (Reinforcing Bracket Inserts)



16/16. 16mm glide-front/16mm glide rear



16/25. 16mm glide-front/25mm glide rear



25/25. 25mm glide-front / 25mm glide rear



25/25. 25mm ring front / 25mm glide rear



25/16. 25mm glide front / 16mm glide rear



25/16. 25mm ring front / 16mm glide rear

## RBI's (Reinforcing Bracket Inserts)

Reinforcing Bracket inserts are included with all Versatrak double combo brackets, and all Versatrak combo brackets 140mm and over. The inserts are an unobtrusive right angled 3mm solid steel reinforcing section, powder coated to the same colour as the bracket. If your curtains are particularly heavy, or have a long drop, please ask for RBI's



RBI inserts for standard and concealed brackets



RBI insert in place on a 16/25 bracket

### Does my Versatrak Installation need RBI's?

Projection	100mm	140mm	170mm
Versatrak Ring	Opt	Yes	Yes
Versatrak Glide	Opt	Yes	Yes
Versatrak Double	-	Yes	Yes

## Concealed Base Plate

The concealed plate serves to conceal the screw fixings. The plate is available for all 25mm face fix brackets, and both single and double combo brackets.



**Note:** Dimensions and drops are listed on the Vanda web page, alternatively a brochure with these measurements is available

---

# Versatrak 16 Finials



Plain Cap



Ball



Flat Cap



Mushroom

Image courtesy of Board and Batten Design



---

# Versatrak 25 Finials (to fit Versatrak 25 & Boldtrak 25 plus Vantage 25)



Plain Cap



Flat Cap



Mushroom



Discus



Round Ball



Skirted Small Ball



Medium Ball



Large Ball \*



Podium



Fleur De Lis



Round Cage



Basket

## Available to special order



Domed Ball



Rosette



# Boldtrak Rod

## Hard edged sophistication for cutting edge applications, it's a Bold look.

- Boldtrak comes in three profiles; 25mm and 35 mm round, plus 32mm square.
- Boldtrak may be supplied with glides for standard headings, Boldtrak 25 may be used with Wavefold
- Boldtrak 32 and 35 may be used with Wavefold or S-fold headings
- Finials are made from metal alloys or aluminium.
- The channel profile allows the glides to slide smoothly past the brackets, providing great flexibility in window treatments.
- Boldtrak may be used as a double system; combining with Versatrak (16 or 25mm) or as a double Boldtrak
- The broad bracket range will accommodate most applications – even difficult ones. The range includes 60mm, 100mm and 140mm face fix projections; plus top fix and double brackets.
- All face fix brackets are available with the concealed base plate option
- The rod length is 6 metres, for joins a clamp is available.
- A wide range of colours are available (see the Vanda web site), or colours can be powder coated to order.

## Please Note:

- Boldtrak is not available in the hand finished paint effects.
- Boldtrak cannot be bent or curved.
- Reinforcing bracket inserts are fitted to brackets projecting over 140mm. (see page 13), and should also be used for heavy drapes or long drops.



Boldtrak 25 with glides and end stops



Boldtrak 32 with glides



Boldtrak 35 with glides



Boldtrak Glides



Boldtrak End Stops



Photo by Gareth Richards Photography, interior design by Janelle Hearn Design, supplied & installed by Shades in Hawthorn.

# Boldtrak Brackets (for Boldtrak 25, 32 & 35)

- All Boldtrak face fix brackets may be supplied with Concealed base plates
- RBI's (Reinforcing bracket inserts) are optional with Double Boldtrak brackets but included for brackets over 140mm



Standard bracket 60mm projection



Premo bracket 100mm projection



Premo bracket with concealed base bracket 110mm projection



Top fix bracket



Premo double Boldtrak bracket



Premo double 25mm bracket (also available with 16mm)

## RBI's (Reinforcing Bracket Inserts)

Reinforcing Bracket inserts are supplied with brackets projecting over 140mm and are optional with Boldtrak double brackets. The inserts are an unobtrusive right angled 3mm solid steel reinforcing section, powder coated to the same colour as the bracket. If your curtains are particularly heavy, or have a long drop, please ask for RBI's.



RBI Inserts for standard and concealed brackets



RBI in bracket

### Does my Boldtrak installation need RBI's?

Projection	100mm	140mm	170mm
Boldtrak - Premo	Opt	Opt	Yes
Boldtrak Double - premo	-	Opt	Yes



---

## Boldtrak 25 Finials

For the full range of finials refer to page 11.

---

## Boldtrak 32 Caps (square)



End cap



Plain square cap

---

## Boldtrak 35 Spacers (round)

Spacers are used to finish the end of the rod, and may be used in the same or a contrasting colour. See page 15 for where spacers MUST be used.



Site disc (40mm x 4mm)



Round band (35mm x 6mm)

---



# Boldtrak 35 Finials

Please note: the finials marked # MUST be used with a spacer (Round band or Site disc – see page 14)



Flat cap  
(shown with a contrasting round band)



End cap



Mushroom  
(shown with a contrasting round band)



Plain ball  
(shown with a contrasting site disc)



Large Ball #  
(shown with site disc)



Basket #  
(shown with site disc)



Podium

The following finials are available to order



Camelia



Disc



Spike #  
(shown with a contrasting site disc)



Thistle



Magnolia Bud #  
(shown with site disc)



Rosebud









# Boldtrak with S-Fold or Wavefold

S-Fold or Wavefold headings provide a clean streamlined look, and are becoming increasingly popular, although the look is very similar, the difference is the methodology, S-Fold uses a snap system, whereas Wavefold uses hooks. **Please note:** not all fabrics and curtain sizes are suited to S-Fold or Wavefold curtains. Samples should be checked for suitability

## S-Fold

S-Fold tape is 25mm wide and comes in black, white and clear, the pendants are snapped into place.



S-Fold tapes – white, clear and black



S-Fold pendant



S-Fold corded glider (with pendants)



S-Fold End Stop - in place

## Wavefold

Wavefold tape is 75mm wide and comes in clear, the pendants are hooked into place. Pockets are discretely marked for use with either 80% or 100% fullness; hook placement can be adjusted according to the desired fullness. The narrower one piece Wavefold carriers have an improved stack back compared to the two piece (10.7mm compared to 14.1mm, an improvement of 24%).



Wavefold hooks



Wavefold one piece carriers



Wavefold clear tape

Image courtesy of Emma Gaggin Interiors



# Flushfit Recessed Track

Flushfit has been conceived with Architects and Designers in mind. The track sits discreetly inside the ceiling lining and does not require bracketing.

The track is 13mm deep, **so requires ceiling lining 13mm thick**, alternately the timber joists need to be routed to accommodate the depth. The track width is 16mm, so builders need to allow a gap of 18mm for ease of installation, the 5mm overlap covers plasterboard edges.

Tracks come in 6m lengths, and can be butt joined for longer installations. Prefabricated 90 and 135 degree elbows are available. Tracks are pre-punched at 500mm centres with 3.5mm holes. Screws are supplied.

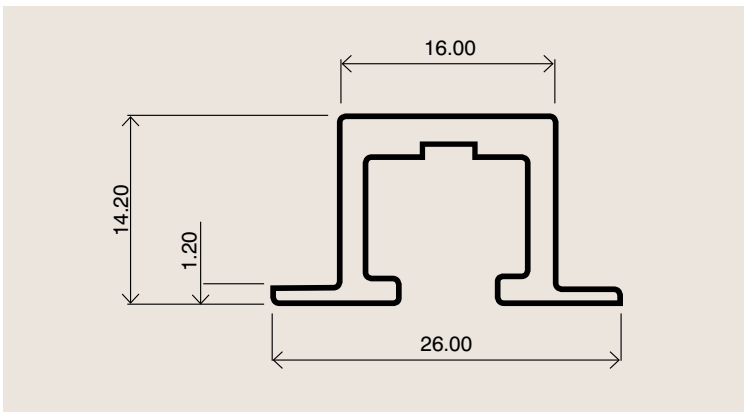
Flushfit comes in Classic White. Powder coated colours are available to order. Flushfit may be supplied with glides (Boldtrak glides) for standard headings, or with Wavefold tape. Glides and Wavefold tapes are shown on pages 12 & 18 respectively.



Flush Fit Track



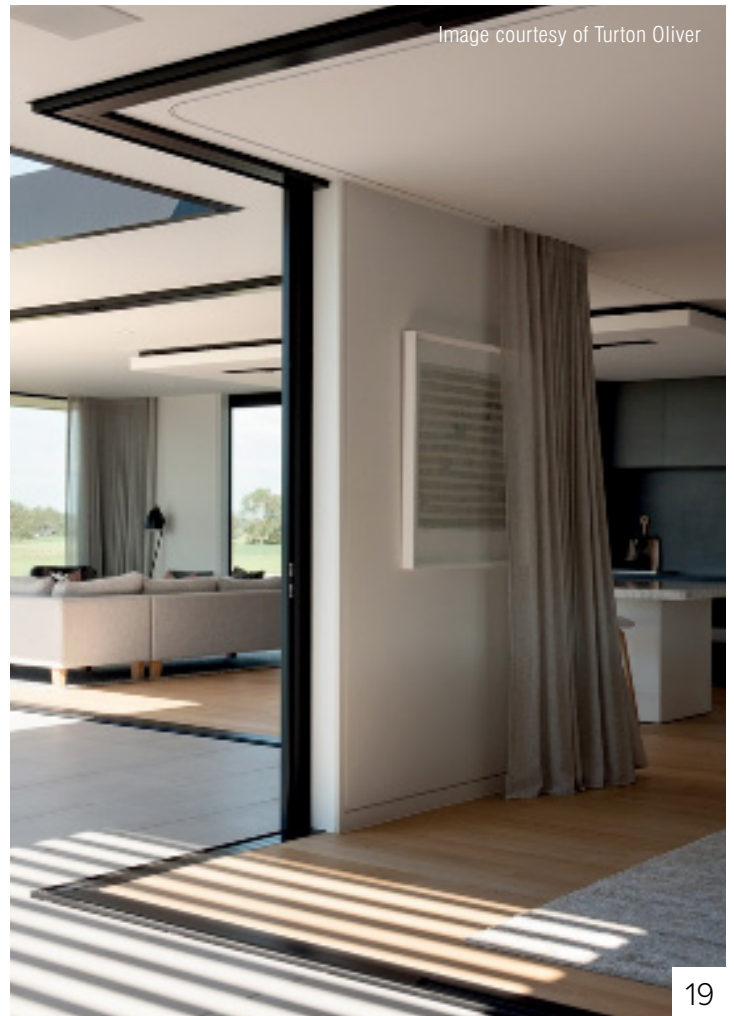
Flushfit end covers, with and without end stops



UNDERNEATH VIEW:



SIDE VIEW:



---

# Colours

Colours can be viewed on the Vanda Victoria web page, however colours do change with time so it is advisable to check before specifying.

Customised powder coating is also available to order in most Dulux or Jotun colours.

**Please note:**

- Versatrak is available in all Vanda colours.
- Vantage is available in all Vanda colours EXCEPT hand finishes
- Boldtrak is available in all Vanda colours EXCEPT hand finishes
- Flush fit is available in White
- Hand finishes will vary from job to job.



---

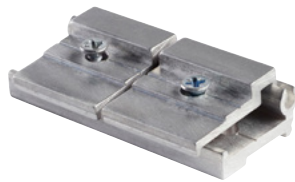
# Straight Joins

The following options are available

- Versatrak (16mm & 25mm) can be joined with an internal joiner.
- Vantage can be butt joined and a double width bracket used for additional rigidity
- Boldtrak is joined with a clamp



Versatrak Internal Joiner in a 25mm rod (16mm also available)



Boldtrak clamp



# Bends and Mitres

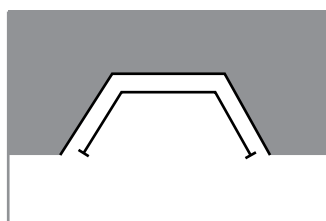
## The following options are available:

- Versatrak and Vantage can be bent – curtains will still flow.
- Versatrak 25 can be supplied in continuous curves – curtains will still flow.
- Versatrak can be mitred. Versatrak 25 has an internal 90 degree jointer.
- Boldtrak and Vantage may be mitred, though there is no corner jointer for this.

To complete bends, curves and mitres to order, Vanda Victoria requires the back wall measurement, the angle, and the bracket projection.

Minimum diameter for curves is 2 metres. Further information is required for curves – see diagram. If providing a template, please ensure this is on cardboard or some other stiff material (e.g. blind fabric). A template on paper will not suffice.

## Some Bend Options



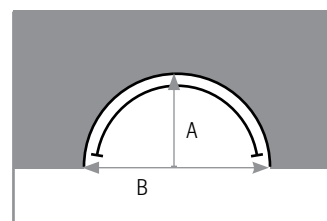
Two Bend Bay



Square Bay



Four Bend Bay



Curve

The above measurements A & B are required for 'curved' bay applications.



Versatrak 25 90° Mitre corner jointer (Internal mitre jointers are NOT available for any other size)



## Fabrication

Rod Profile	Bends	Curves	MITRES		JOINS	
			Mitres	Internal Joiner	Type	
					Internal	Clamp
Versatrak 16	Yes	No	Yes	No	Yes	-
Versatrak 25	Yes	Yes	Yes	Yes	Yes	-
Boldtrak 25	No	No	Yes	No	-	Yes
Boldtrak 35	No	No	Yes	No	-	Yes
Boldtrak 32	No	No	Yes	No	-	yes
Flushfit	Elbows Available - 90 & 135 degree	No	Yes	No	Butt Join Only	-

---

# Accessories

---



## Flik Stiks

**Solid aluminium** Flik Stiks will not flex and bend. They come in two standard lengths 750mm (7mm dia.), and 1200mm (10mm dia.), and two standard colours – Ivory and Silver Pearl.

**Clear** Flik Stiks come in 1000mm or 1500mm (reeded)



Metal Flik Stiks  
750mm and 1200mm



Clear Flik Stiks  
1000mm and 1500mm

---

## Hanger Suspension Brackets



16mm suspension  
bracket



25mm suspension  
bracket



Boldtrak Suspension  
bracket

Available for Versatrak, Vantage and Boldtrak range, can suspend rods up to 500mm. Longer drops are attainable when used in conjunction with lateral supports.

---

## Alternate Ring

Complete “E” rings, with an eyelet for curtain hooks



'E' ring with an eyelet for curtain hooks. Can be used with Vantage eyelet rods

---

## Return Brackets



---

# Holdbacks

Dress your windows with stylish holdbacks. Holdbacks are available to order.

---

## Tilt Back Holdbacks

Pictured in the “hold” position, fold up against the wall when curtains are drawn.



Ball End



Basket



Mushroom

When ordering specify left or right.

---

## Straight Stem Holdbacks

Standard 100mm standout from the wall – 150mm stand outs also available.



Mushroom stem



Rosette



French Holdback

---

## Drop Down Holdbacks





Vanda Victoria Pty Ltd

Unit 5, 52-60 Garden Dr, Tullamarine 3043. Showroom open: 9-5 Mon-Fri, please phone for appointment (trade only).

Ph: 03 9335 6355 Fax: 03 9335 6422 Email: [sales@vandavictoria.com.au](mailto:sales@vandavictoria.com.au) Web: [vandavic.com](http://vandavic.com)



Boldtrak 35 with S Fold, photo courtesy of Shades in Hawthorn