



BRACKET MEASUREMENTS & INFORMATION

for

CURTAIN MAKERS
& FITTERS

July 2020

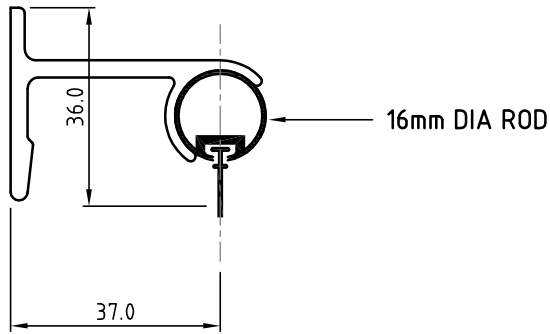
Factory & Showroom
Vanda Victoria Pty Ltd
Unit 5, 52-60 Garden Drive, Tullamarine, VIC. 3043
Phone (03) 9335 6355 Fax (03) 9335 6422
E-mail sales@vandavictoria.com.au

Page 1	Versatrak 16 Single Brackets
Page 2	Versatrak 16 Combo Single & Double Brackets
Page 3	Versatrak 25 Single Brackets
Page 4	Versatrak 25 Top Fix & Side Fix Brackets
Page 5	Versatrak 25 Combo Single Brackets
Page 6	Versatrak 25 Double Brackets
Page 7	Vantage Single Brackets
Page 8	Vantage Top Fix & Double Brackets
Page 9	Boldtrak 25 Single Brackets
Page 10	Boldtrak 25 Double Brackets
Page 11	Boldtrak 32 Single & Top Fix Brackets
Page 12	Boldtrak 32 Double Brackets
Page 13	Boldtrak 35 Single & Top Fix Brackets
Page 14	Boldtrak 35 Double Brackets
Page 15	Boldtrak 25 Double with VT 16 & 25
Page 16	Boldtrak 32 Double with VT 16 & 25
Page 17	Boldtrak 35 Double with VT 16 & 25
Page 18	Flush Fit, Boldtrak Hanger Bracket & Concealed Wall Plate



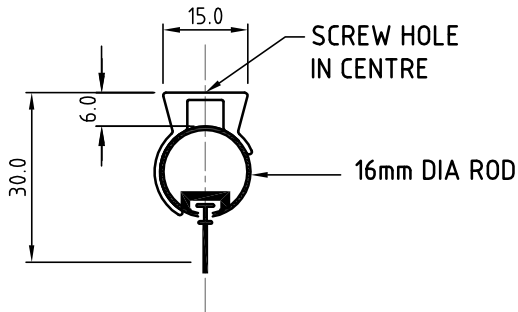
vanda

VERSATRAK 16 SINGLE BRACKETS



Base Plate : Height 34mm, Width 20mm
Top of base plate to hook position : 36mm

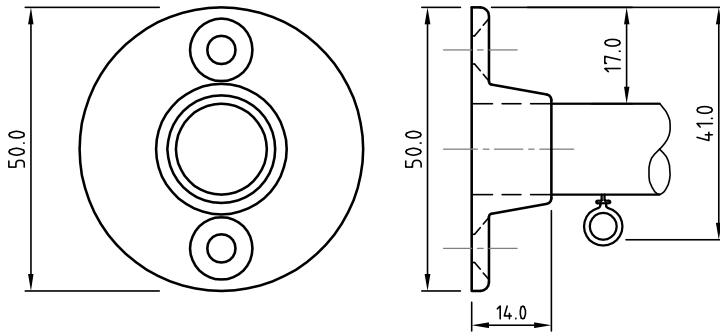
16mm Glide Bracket



Ceiling to top of rod : 6mm
Ceiling to hook position : 30mm

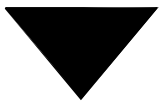
NB: There is no 16mm Top Fix Ring Bracket

16mm Top Fix Glide Bracket



Top of base plate to top of rod : 17mm
Top of base plate to hook position: 41mm

16mm End Wall (Flange) Bracket



vanda

VERSATRAK 16 COMBO SINGLE & DOUBLE BRACKETS

100.0

32.0

16mm DIA ROD

Base Plate : Height 50mm, Width 20mm
Top of base plate to hook position : 32mm

✱ **16mm - 100mm Glide Bracket**

135.0

32.0

16mm DIA ROD

Base Plate : Height 50mm, Width 20mm
Top of base plate to hook position : 32mm

✱ **16mm - 135mm Glide Bracket**

135.0

64.0

32.0

16mm DIA ROD

16mm DIA ROD

Base Plate : Height 50mm, Width 20mm
Top of base plate to Rear hook position : 64mm, to Front hook position : 32mm
Rear hook position : 32mm below front hook

✱ **16mm / 16mm Double Glide Bracket**

135.0

72.0

32.0

25mm DIA ROD

16mm DIA ROD

Base Plate : Height 50mm, Width 20mm
Top of base plate to Rear hook position : 72mm, to Front hook position : 32mm
Rear hook position : 40mm below front hook

✱ **16mm / 25mm Double Glide Bracket**



vanda

VERSATRAK 25 SINGLE BRACKETS

Base Plate : Height 50mm, Width 20mm
Top of base plate to hook position : 51mm

25mm DIA ROD

51.0

60.0

* 25mm Glide Bracket

Base Plate : Height 50mm, Width 20mm
Top of base plate to hook position : 60mm

25mm DIA ROD

60.0

60.0

* 25mm Ring Bracket

Base Plate : Height 60mm, Width 20mm
Top of base plate to hook position : 63mm

25mm DIA ROD

100.0

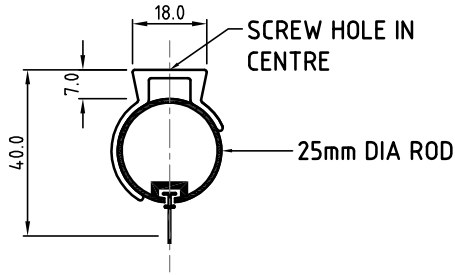
63.0

* 25mm - 100mm Ring Bracket



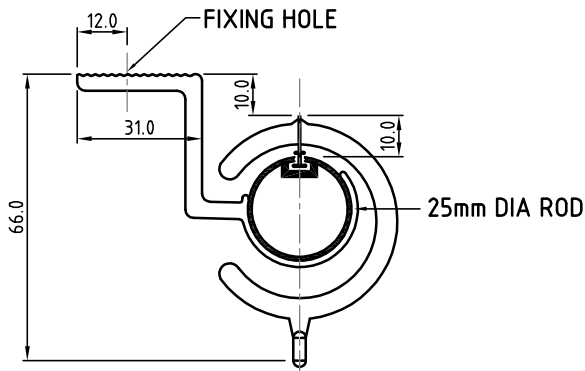
vanda

VERSATRAK 25 TOP FIX & SIDE FIX BRACKETS



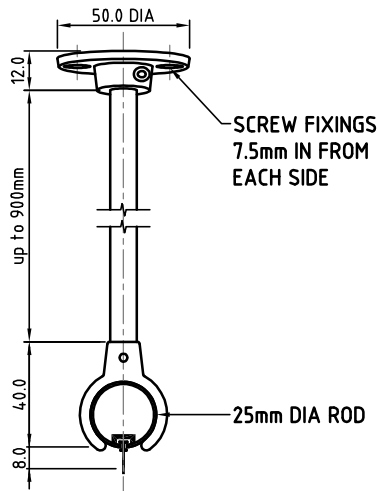
Ceiling to top of rod : 7mm
 Ceiling to hook position : 40mm

25mm Top Fix Glide Bracket



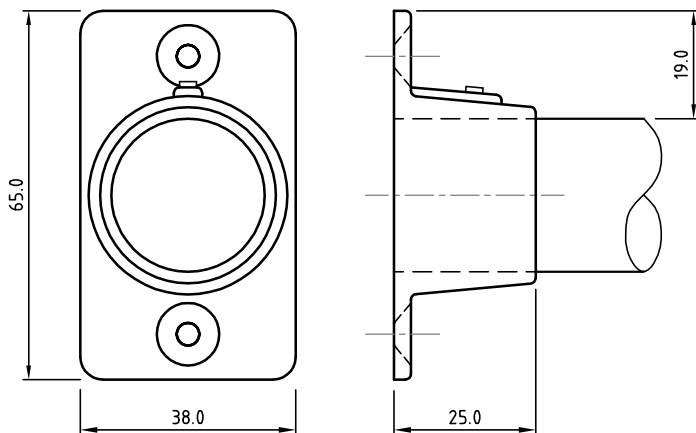
Ceiling to top of rod : 20mm
 Ceiling to hook position : 66mm
 Top of Ring sits 10mm above rod/10mm below ceiling

25mm Top Fix Ring Bracket



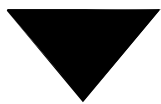
Ceiling Wall Plate : 50mm DIA
 Dropper available up to 900mm drops
 Top of ceiling to bottom of ceiling flange : 12mm
 Top of saddle bracket to bottom of rod : 40mm
 Hook position 8mm below rod

25mm Hanger Glide Bracket



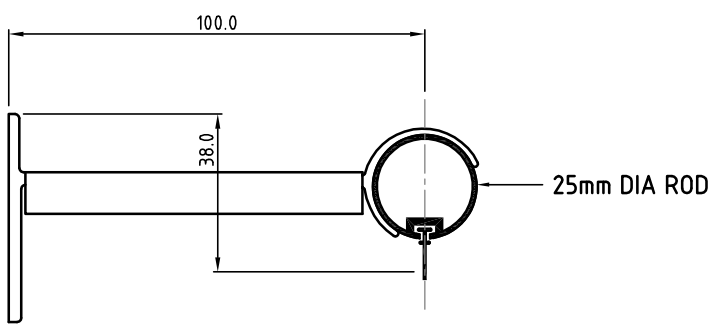
Top of base plate to top of rod : 19mm
 Top of base plate to hook position :
 - Glide 54mm
 - Ring 68mm

25mm End Wall (Flange) Bracket



vanda

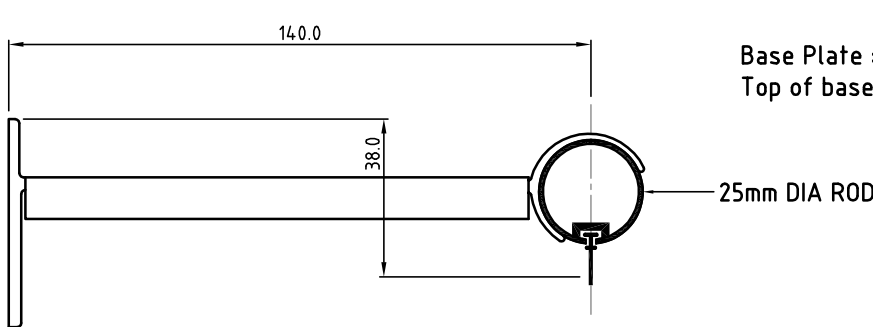
VERSATRAK 25 COMBO SINGLE BRACKETS



100.0
38.0
25mm DIA ROD

Base Plate : Height 50mm, Width 20mm
Top of base plate to hook position : 38mm

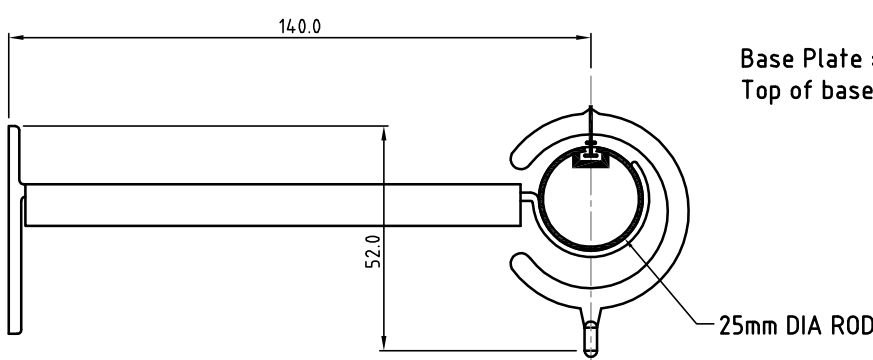
✱ **25mm - 100mm Glide Bracket**



140.0
38.0
25mm DIA ROD

Base Plate : Height 50mm, Width 20mm
Top of base plate to hook position : 38mm

✱ **25mm - 140mm Glide Bracket**



140.0
52.0
25mm DIA ROD

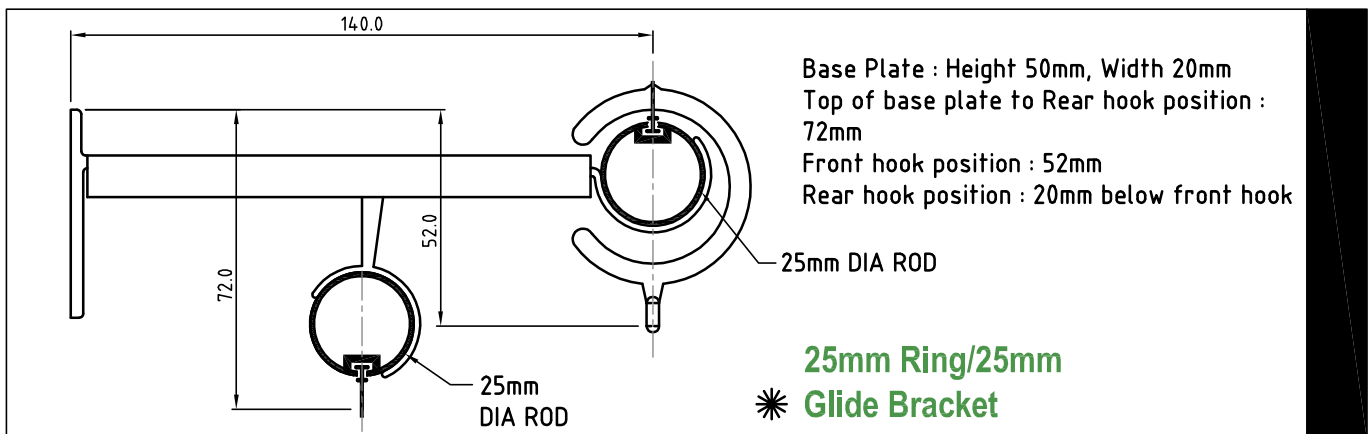
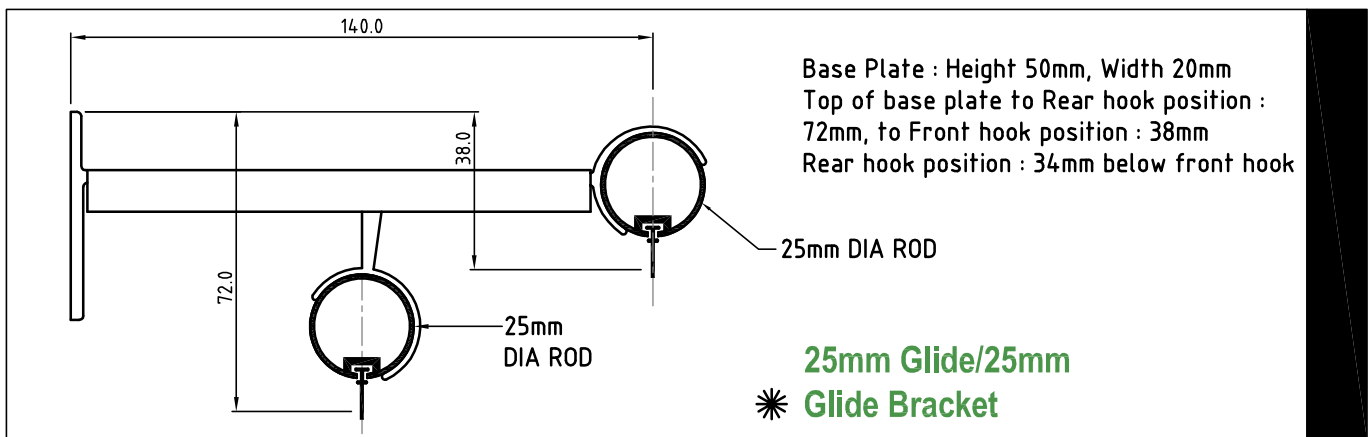
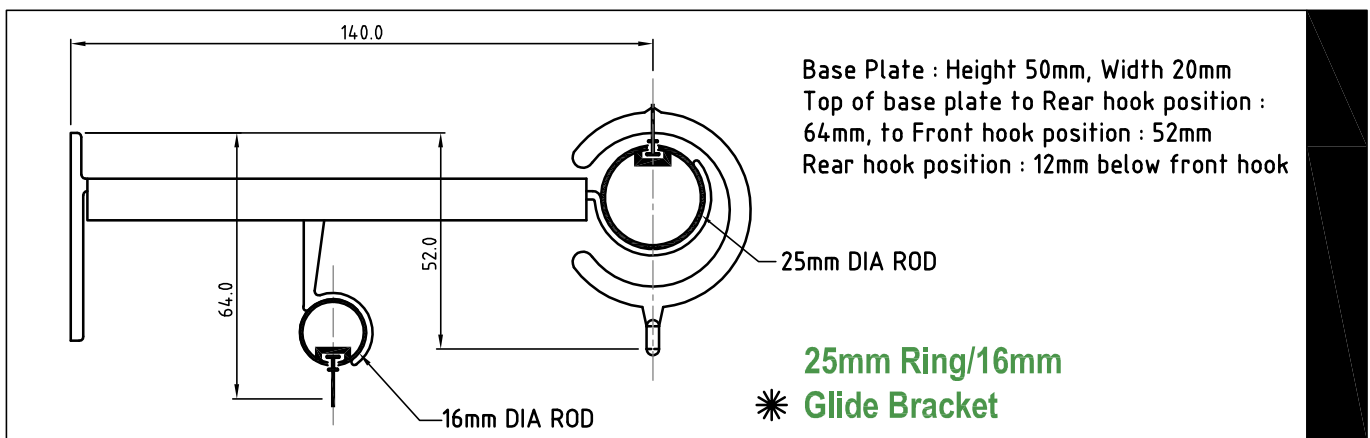
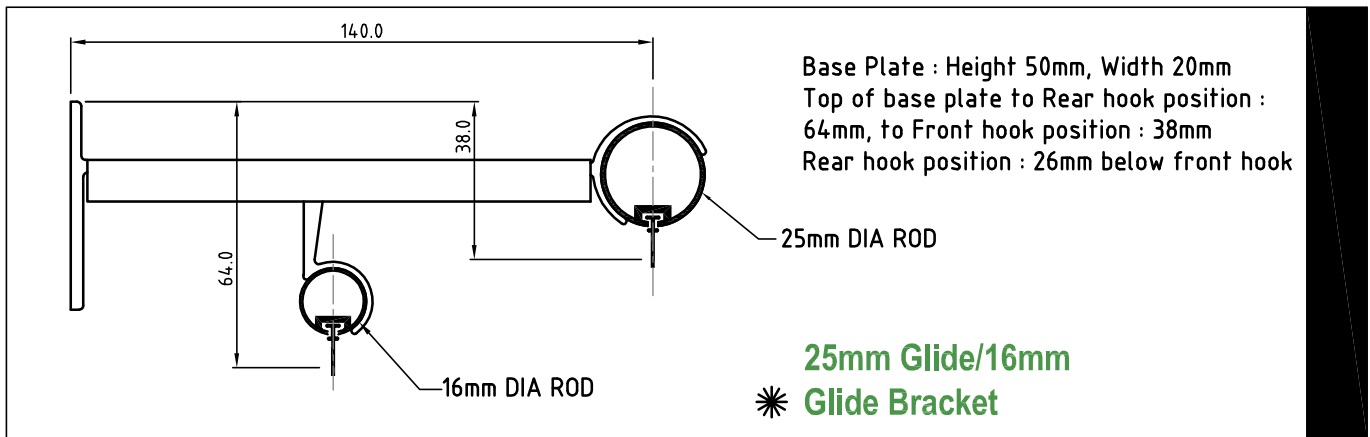
Base Plate : Height 50mm, Width 20mm
Top of base plate to hook position : 52mm

✱ **25mm - 140mm Ring Bracket**

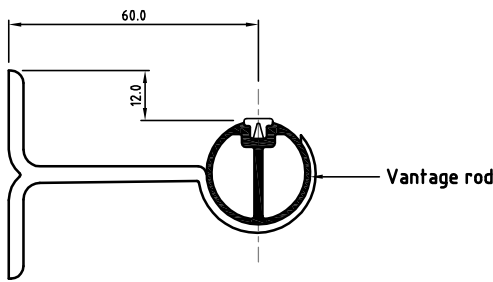


vanda

VERSATRAK DOUBLE COMBO BRACKETS

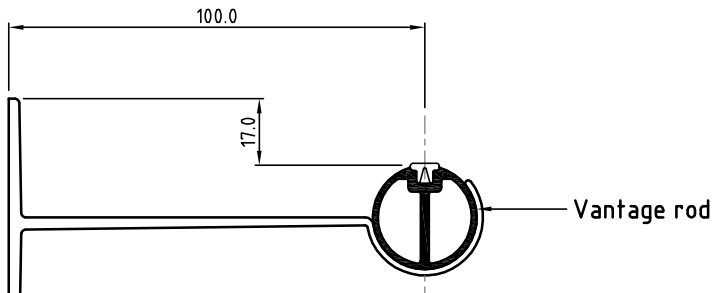


VANTAGE SINGLE BRACKETS



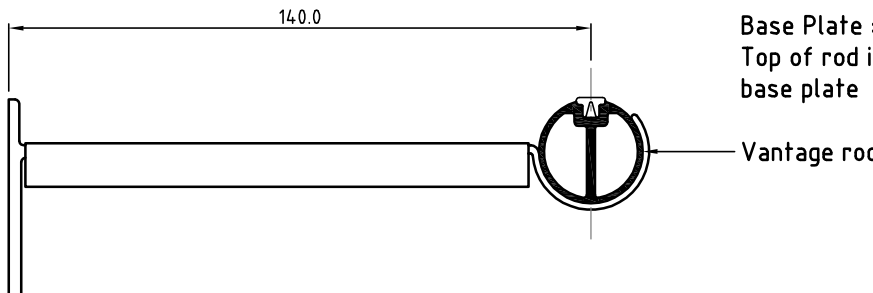
Base Plate : Height 60mm, Width 20mm
Top of rod is 12mm below the top of the base plate

*** Vantage Standard bracket**



Base Plate : Height 60mm, Width 20mm
Top of rod is 17mm below the top of the base plate

Vantage
*** 100mm Projection Bracket**



Base Plate : Height 50mm, Width 20mm
Top of rod is level with top of the base plate

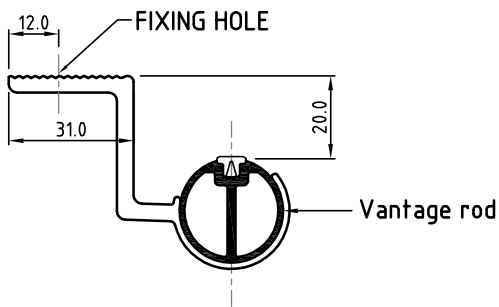
Vantage
*** 140mm Projection Bracket**



vanda

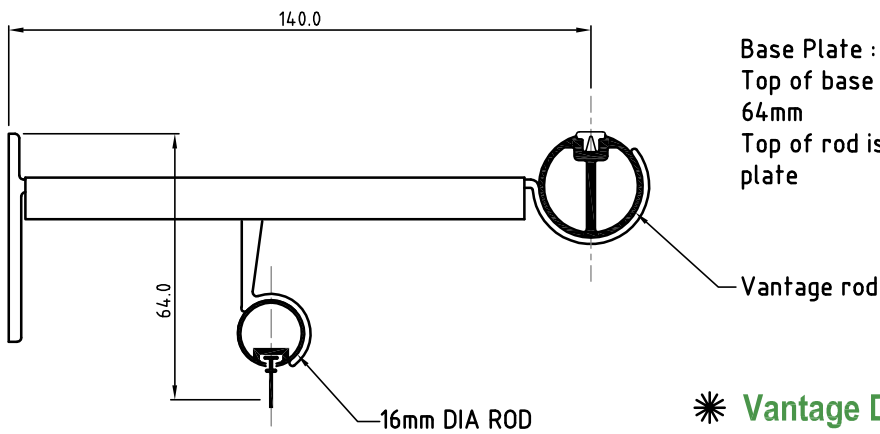
VANTAGE TOP FIX & DOUBLE BRACKETS

Ceiling to top of rod : 20mm
Top of rod sits 20mm below the ceiling



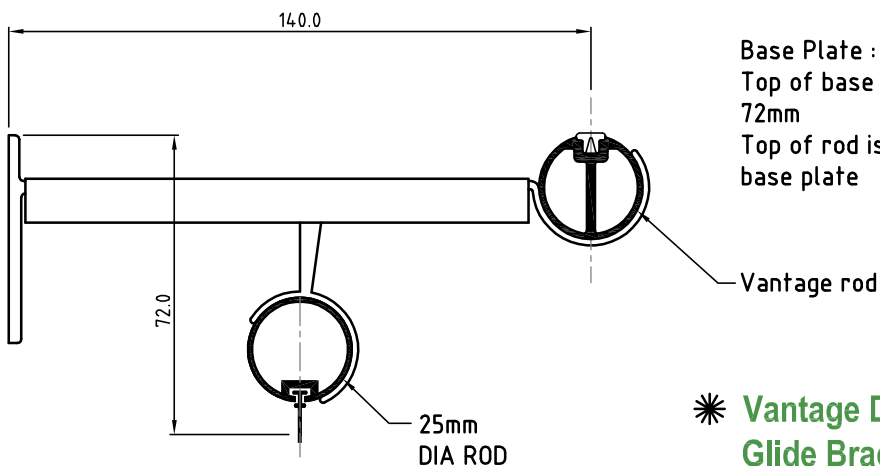
Vantage Top Fix Bracket

Base Plate : Height 50mm, Width 20mm
Top of base plate to Rear hook position :
64mm
Top of rod is level with top of the
base plate



*** Vantage Double/16mm
Glide Bracket**

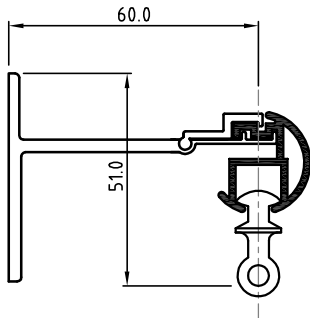
Base Plate : Height 50mm, Width 20mm
Top of base plate to Rear hook position :
72mm
Top of rod is level with top of the
base plate



*** Vantage Double/25mm
Glide Bracket**

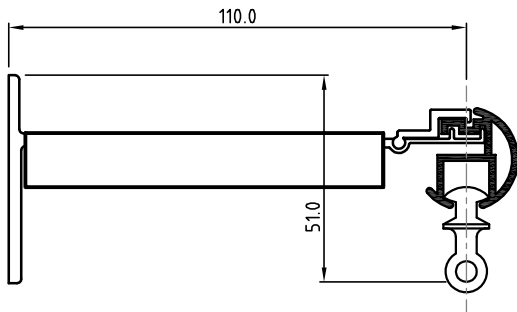


BOLDTRAK 25 SINGLE BRACKETS



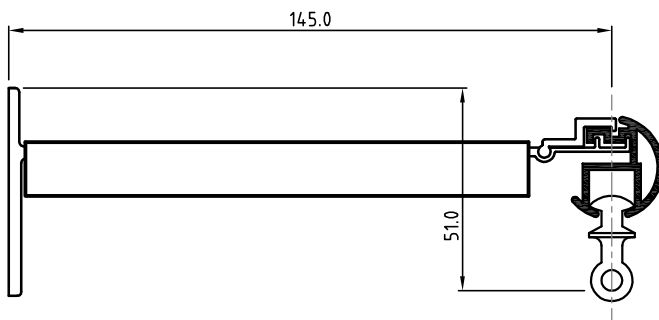
Base Plate : Height 50mm, Width 30mm
Top of base plate to hook position : 51mm

* **Boldtrak 25 60mm Bracket**



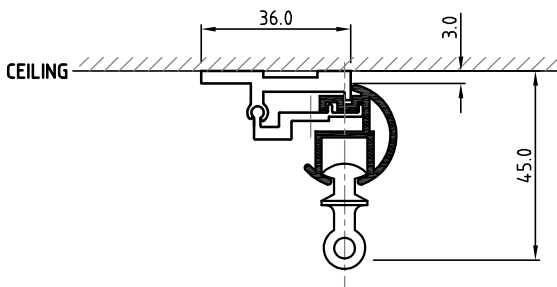
Base Plate : Height 50mm, Width 30mm
Top of base plate to hook position : 51mm

* **Boldtrak 25 110mm Bracket**



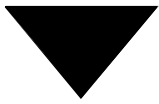
Base Plate : Height 50mm, Width 30mm
Top of base plate to hook position : 51mm

* **Boldtrak 25 145mm Bracket**



Ceiling Plate : Length 60mm, Width 36mm
Top of Ceiling to top of rod : 3mm
Top of base plate to hook position : 45mm

Boldtrak 25 Ceiling Fix Bracket



BOLDTRAK 25 DOUBLE BRACKETS

Base Plate : Height 50mm, Width 30mm
 Top of base plate to rear hook position : 71mm
 Top of base plate to front hook position : 51mm
 Rear hook position : 20mm below front hook

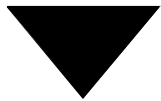
Boldtrak Double Bracket
 * **Boldtrak 25 front/Boldtrak 25 rear**

Base Plate : Height 50mm, Width 30mm
 Top of base plate to rear hook position : 80mm
 Top of base plate to front hook position : 51mm
 Rear hook position : 29mm below front hook

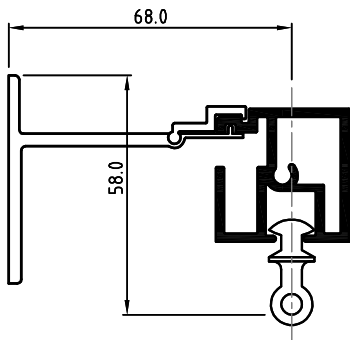
Boldtrak Double Bracket
 * **Boldtrak 25 front/Boldtrak 32 rear**

Base Plate : Height 50mm, Width 30mm
 Top of base plate to rear hook position : 81mm
 Top of base plate to front hook position : 51mm
 Rear hook position : 30mm below front hook

Boldtrak Double Bracket
 * **Boldtrak 25 front/Boldtrak 35 rear**

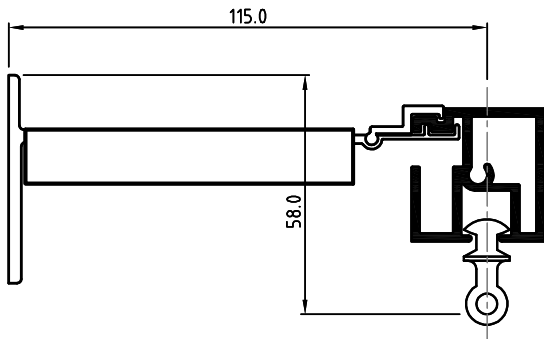


BOLDTRAK 32 SINGLE & TOP FIX BRACKETS



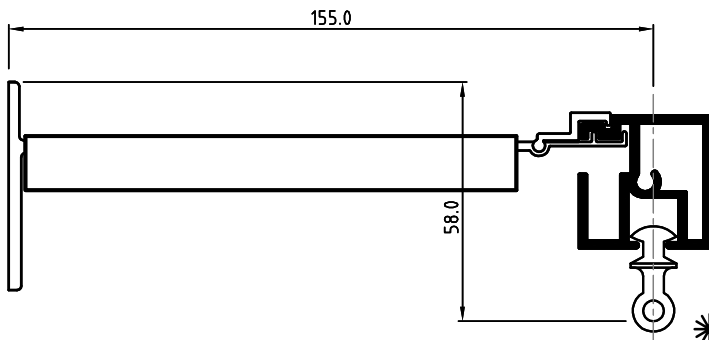
Base Plate : Height 50mm, Width 30mm
 Top of base plate to hook (or \varnothing snap)
 position : 58mm

* 32mm Single Bracket



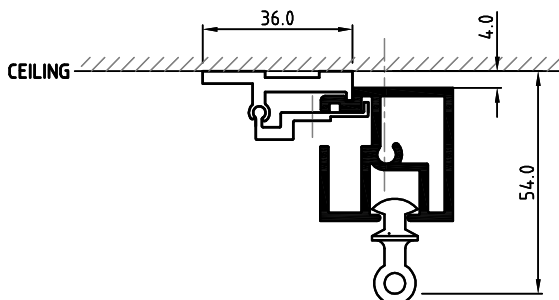
Base Plate : Height 50mm, Width 30mm
 Top of base plate to hook (or \varnothing snap)
 position : 58mm

* 32mm Premo 115mm Bracket



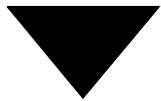
Base Plate : Height 50mm, Width 30mm
 Top of base plate to hook (or \varnothing snap)
 position : 58mm

* 32mm Premo 155mm Bracket



Base Plate : Length 60mm, Width 36mm
 Top of Ceiling to top or rod : 4mm
 Top of base plate to hook (or \varnothing snap)
 position : 54mm

32mm Ceiling Fix Bracket



BOLDTRAK 32 DOUBLE BRACKETS

Base Plate : Height 50mm, Width 30mm
 Top of base plate to rear hook position : 71mm
 Top of base plate to front hook (or \varnothing snap) position : 58mm
 Rear hook position : 13mm below front hook

Boldtrak Double Bracket
 * **Boldtrak 32 front/Boldtrak 25 rear**

Base Plate : Height 50mm, Width 30mm
 Top of base plate to rear hook position : 80mm
 Top of base plate to front hook (or \varnothing snap) position : 58mm
 Rear hook position : 22mm below front hook

Boldtrak Double Bracket
 * **Boldtrak 32 front/Boldtrak 32 rear**

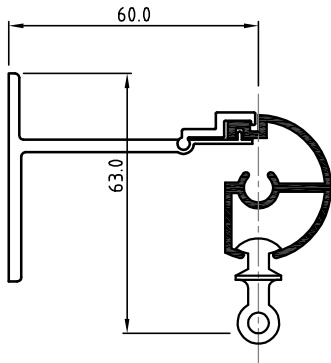
Base Plate : Height 50mm, Width 30mm
 Top of base plate to rear hook position : 81mm
 Top of base plate to front hook (or \varnothing snap) position : 58mm
 Rear hook position : 23mm below front hook

Boldtrak Double Bracket
 * **Boldtrak 32 front/Boldtrak 35 rear**



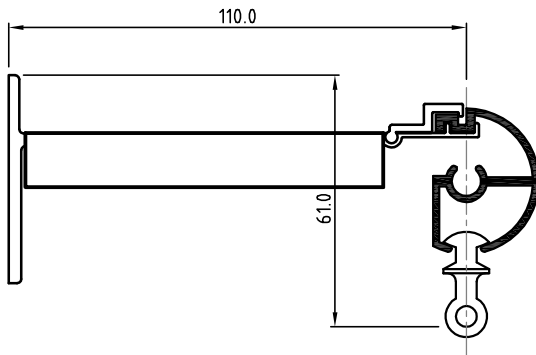
vanda

BOLDTRAK 35 SINGLE & TOP FIX BRACKETS



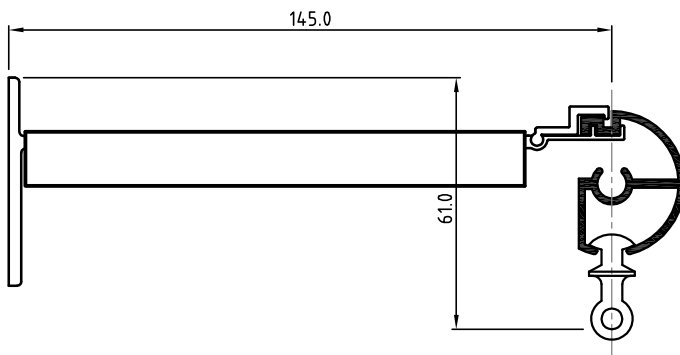
Base Plate : Height 50mm, Width 30mm
Top of base plate to hook (or \varnothing snap)
position : 63mm

✱ **35mm Single Bracket**



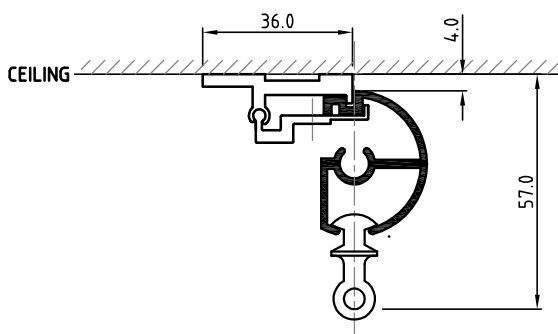
Base Plate : Height 50mm, Width 30mm
Top of base plate to hook (or \varnothing snap)
position : 61mm

✱ **35mm Premo 110mm Bracket**



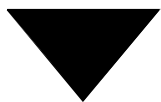
Base Plate : Height 50mm, Width 30mm
Top of base plate to hook (or \varnothing snap)
position : 61mm

✱ **35mm Premo 145mm Bracket**



Base Plate : Length 60mm, Width 36mm
Top of Ceiling to top or rod : 4mm
Ceiling to hook (or \varnothing snap) position : 57mm

35mm Ceiling Fix Bracket



BOLDTRAK 35 DOULBE BRACKETS

Base Plate : Height 50mm, Width 30mm
 Top of base plate to rear hook position : 71mm
 Top of base plate to front hook (or \varnothing snap) position : 61mm
 Rear hook position : 10mm below front hook

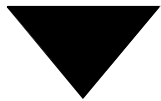
Boldtrak Double Bracket
 * **Boldtrak 35 front/Boldtrak 25 rear**

Base Plate : Height 50mm, Width 30mm
 Top of base plate to rear hook position : 80mm
 Top of base plate to front hook (or \varnothing snap) position : 61mm
 Rear hook position : 19mm below front hook

Boldtrak Double Bracket
 * **Boldtrak 35 front/Boldtrak 32 rear**

Base Plate : Height 50mm, Width 30mm
 Top of base plate to rear hook position : 81mm
 Top of base plate to front hook (or \varnothing snap) position : 61mm
 Rear hook position : 20mm below front hook

Boldtrak Double Bracket
 * **Boldtrak 25 front/Boldtrak 35 rear**



vanda

NB. Boldtrak drops are the same for standard glides & Wavefold
(Not suitable for S-Fold)

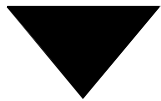
BOLDTRAK 25 DOUBLE WITH VT 16 & 25

Base Plate : Height 50mm, Width 30mm
 Top of base plate to rear hook position : 70mm
 Top of base plate to front hook position : 51mm
 Rear hook position : 19mm below front hook

**Premo Combo 25mm/16mm
 * Glide Bracket**

Base Plate : Height 60mm, Width 30mm
 Top of base plate to rear hook position : 80mm
 Top of base plate to front hook position : 51mm
 Rear hook position : 29mm below front hook

**Premo Combo 25mm/25mm
 * Glide Bracket**



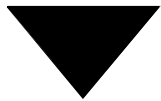
BOLDTRAK 32 DOUBLE WITH VT 16 & 25

Base Plate : Height 50mm, Width 30mm
 Top of base plate to rear hook position : 70mm
 Top of base plate to front hook (or \varnothing snap) position : 58mm
 Rear hook position : 12mm below front hook

Premo Combo 32mm/16mm
 * **Glide Bracket**

Base Plate : Height 60mm, Width 30mm
 Top of base plate to rear hook position : 80mm
 Top of base plate to front hook (or \varnothing snap) position : 58mm
 Rear hook position : 22mm below front hook

Premo Combo 32mm/25mm
 * **Glide Bracket**



BOLDTRAK 35 DOUBLE WITH VT 16 & 25

Base Plate : Height 50mm, Width 30mm
 Top of base plate to rear hook position : 70mm
 Top of base plate to front hook (or \varnothing snap) position : 61mm
 Rear hook position : 9mm below front hook

Premo Combo 35mm/16mm
 * **Glide Bracket**

Base Plate : Height 50mm, Width 30mm
 Top of base plate to rear hook position : 80mm
 Top of base plate to front hook (or \varnothing snap) position : 61mm
 Rear hook position : 19mm below front hook

Premo Combo 35mm/25mm
 * **Glide Bracket**

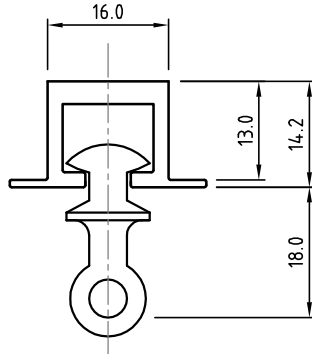


vanda

FLUSHFIT ,

BOLDTRAK HANGER BRACKET & CONCEALED WALL PLATE

Requires 13mm Ceiling Lining



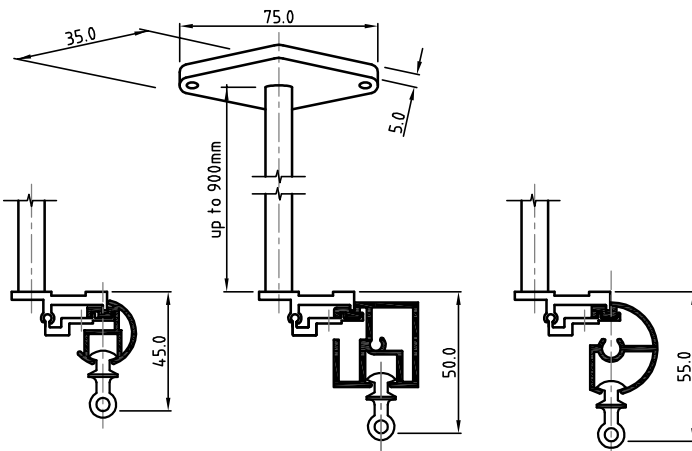
Flushfit Track

Hook position : 18mm under track

Suitable with Wave-Fold

(Not suitable with S-Fold)

Flushfit Recessed Track



Boldtrak 25

Boldtrak 32

Boldtrak 35

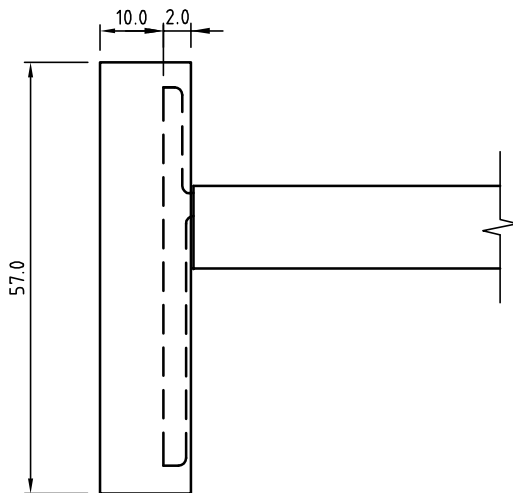
Dropper available up to 900mm drops

Top of clamp to hook position Boldtrak 25 : 45mm

Top of clamp to hook position Boldtrak 32 (or \varnothing snap): 50mm

Top of clamp to hook position Boldtrak 35 (or \varnothing snap): 55mm

Boldtrak Hanger Bracket



Concealed Fixing Wall Plate:

- Length : 57mm - add 5mm for distance from top of wall plate to hook/snap positions
- Projection from wall : add 10mm to all measures from wall
- Not available for:
 - 16mm standard GLIDE BKTS
 - 16mm standard RING BKTS
 - All top fix brackets

Concealed Wall Plates